

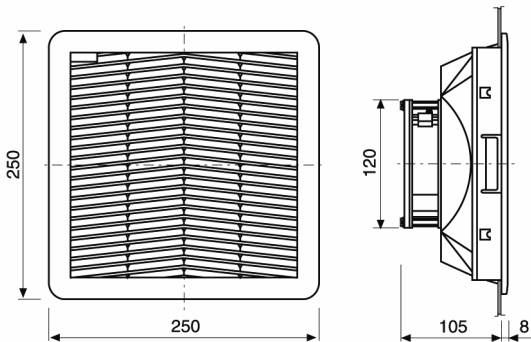
"FPF15KP" SERIES FAN FILTERS

Description: Fan Filter 115/230 Va.c.

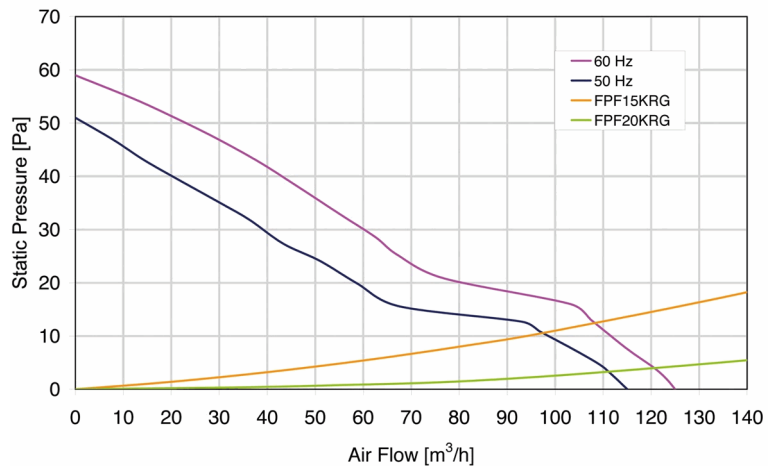
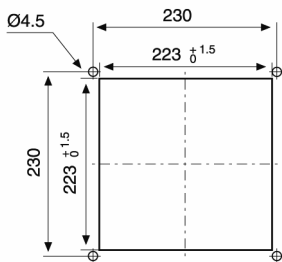


Type of material:	ABS/PC alloy
Standard color:	RAL 7032, RAL 7035 and RAL 9005 - other colors on request
Protection degree:	IP54, according to EN 60529 Std Type 12, according to UL 508 Std
Fixing system:	by elastic hooks, otherwise by four 4.8 mm self-threading screws
Plate thickness:	from 1.5 mm to 2.2 mm
Storage temperature:	from -40°C to +70°C
Motor Lifetime L10 at 40°C:	45,000 h
Motor protection:	impedance
Electrical connection:	by terminal block 3 poles L-N-PE, 2.5 mm ² (12 AWG)
Earth connection:	by PE pole
Appliance class:	Class I
Type of filter media:	thermo-linked progressive structure synthetic fibre
Filtering class:	class G3, according to EN 779
Degree of separation:	85% - DIN 24185
Dust retention capacity:	600 g/m ²
Note:	filter media is washable for about 10 times
Weight:	1.4 Kg
Approvals:	CE, UL E237844

Technical drawing



Mounting cut-out



Model	Voltage (V)	Frequency (Hz)	Rated Current (A)	Rated Power (W)	Max Air Flow** (m ³ /h)	Static Pressure (Pa)	Fan Noise [db(A)]	Rated Temp. Range (°C)	Approvals
FPF15KPR115BE-110	115 V a.c.	50/60	0.210/0.180	20/18	115/125	51/59	46.0/50.0	-10 ÷ +50	CE; cURus
FPF15KPR115BER-110	115 V a.c.	50/60	0.210/0.180	20/18	115/125	51/59	46.0/50.0	-10 ÷ +50	CE; cURus
FPF15KP*230BE-110	230 V a.c.	50/60	0.125/0.110	20/19	115/125	51/59	46.0/50.0	-10 ÷ +50	CE; cURus
FPF15KP*230BER-110	230 V a.c.	50/60	0.125/0.110	20/19	115/125	51/59	46.0/50.0	-10 ÷ +50	CE; cURus

* U = RAL 7035 R = RAL 7032 N = RAL 9005 ** data with uncertainty of 15%

All specifications, data and drawing are subject to change without notice. Please refer to our terms of sales including our warranty and limited liabilities clauses.