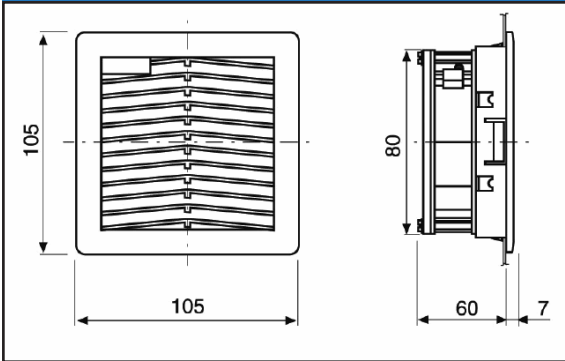


"FPF08K" SERIES FAN FILTERS

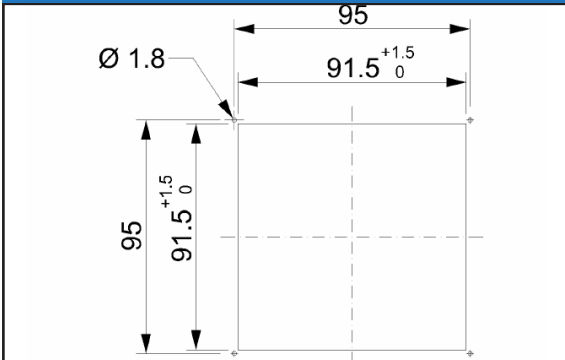
Description: Fan Filter 115/230 Va.c.



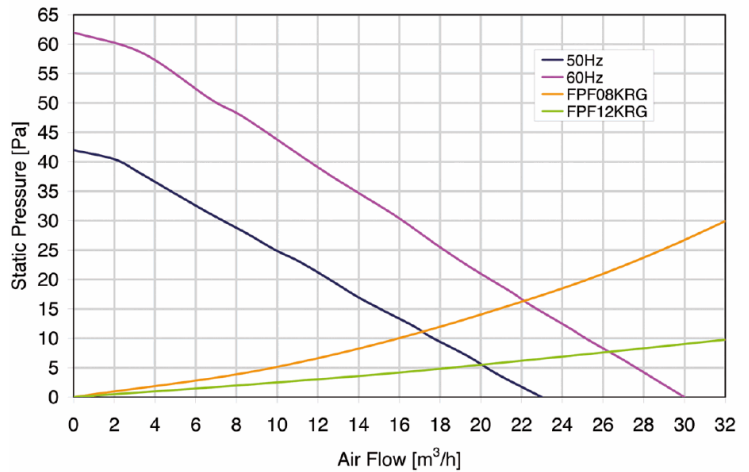
Technical drawing



Mounting cut-out



- Type of material:** ABS/PC alloy
- Standard color:** RAL 7032, RAL 7035 and RAL 9005 - other colors on request
- Protection degree:** IP54, according to EN 60529 Std; Type 12, according to UL 508 Std
- Fixing system:** by elastic hooks, otherwise by four 2.2 mm self-threading screws
- Plate thickness:** from 1.5 mm to 2.2 mm
- Storage temperature:** from -40°C to +70°C
- Motor Lifetime L10 at 40°C (approx.):** 45,000 h
- Motor protection:** impedance
- Electrical connection:** by 2 wires L-N
- Earth connection:** (by M4 thread hole on fan's casing)
- Appliance class:** Class I
- Type of filter media:** thermo-linked progressive structure class
- Filtering class:** G3, according to EN 779
- Degree of separation:** 85% - DIN 24185
- Dust retention capacity:** 600 g/m²
- Note:** filter media is washable for about 10 times
- Weight:** 0.5 Kg
- Approvals:** CE, UL E237844



Model	Voltage	Frequency	Rated Current	Rated Power	Max Air Flow**	Static Pressure	Fan Noise	Rated Temp. Range	Approvals
	(V)	(Hz)	(A)	(W)	(m3/h)	(Pa)	[db(A)]	(°C)	
FPF08K*115B-110	115 V a.c.	50/60	0.115/0.092	9.0/7.0	23/30	42/62	33.0/38.0	-10 + +50	CE; cURus
FPF08K*115BR-110	115 V a.c.	50/60	0.115/0.092	9.0/7.0	23/20	42/62	33.0/38.0	-10 + +50	CE; cURus
FPF08K*230B-110	230 V a.c.	50/60	0.07/0.055	10/8.0	23/30	42/62	33.0/38.0	-10 + +50	CE; cURus
FPF08K*230BR-110	230 V a.c.	50/60	0.07/0.055	10/8.0	23/30	42/62	32.0/36.0	-10 + +50	CE; cURus

* U = RAL 7035 R = RAL 7032 N = RAL 9005 **data with uncertainty of 15%

All specifications, data and drawings are subject to change without notice and are approximate. Please refer to our terms of sales including our warranty and limited liabilities clauses.