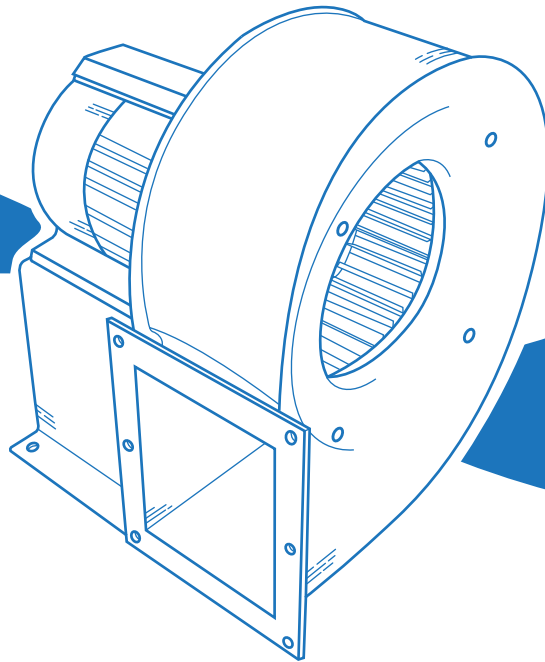


## Industrial Range

Summary sheet



Axair Fans offer a wide range of centrifugal and axial fans for use in industrial, heavy duty & general ventilation applications including EC, material handling, high temperature and ATEX certified fans suitable for use within potentially hazardous atmospheres. See our full range overleaf.

# LOW PRESSURE CENTRIFUGAL

Industry standard dimensions. Suitable for general ventilation & air conditioning applications. AC & EC versions available.

Single & Double Inlet Standard Motor & Belt Drive



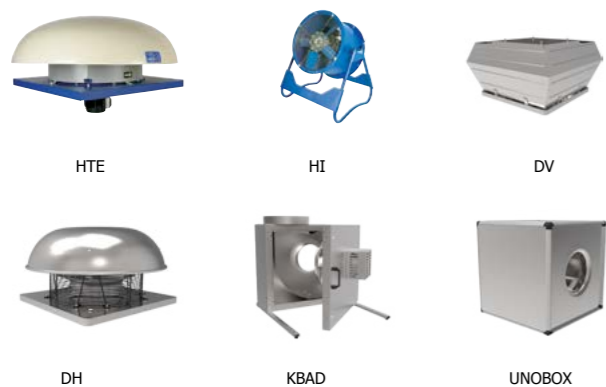
Forward & Backward Curved External Rotor Motor Fans



# COMMERCIAL

A large selection of roof fans, inline duct fans and kitchen extraction fans fitted with backward curved impellers.

External Rotor Motor or Standard Motor with EC Motors



# AXIAL FANS

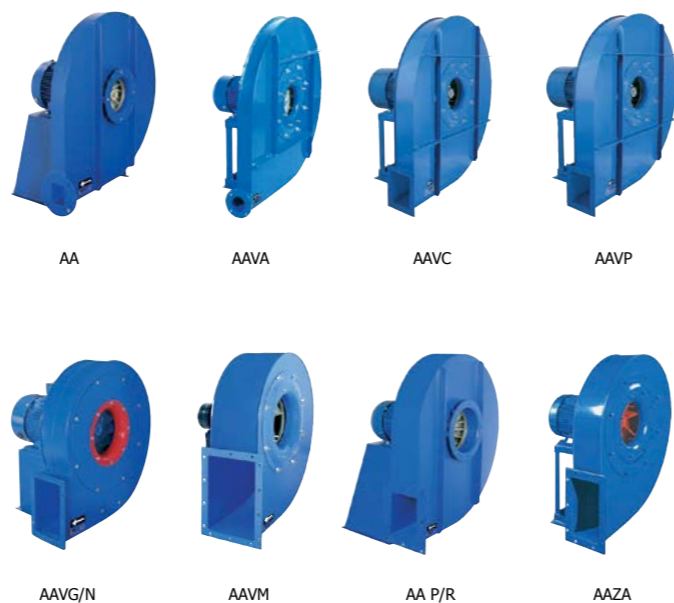
Plate, short cased & long cased axial fans to IP55, suitable for OEM, building ventilation & heavy industrial applications.

External Rotor Motor or Standard Motor with EC Motors



# HIGH PRESSURE CENTRIFUGAL

Single inlet, direct drive motors. Suitable for filtration, forced draught or material handling applications.



# LOW/MEDIUM PRESSURE CENTRIFUGAL

Robust metal construction, single or three phase, suitable for operation up to 120 degrees. High temperature and special construction materials available on request.



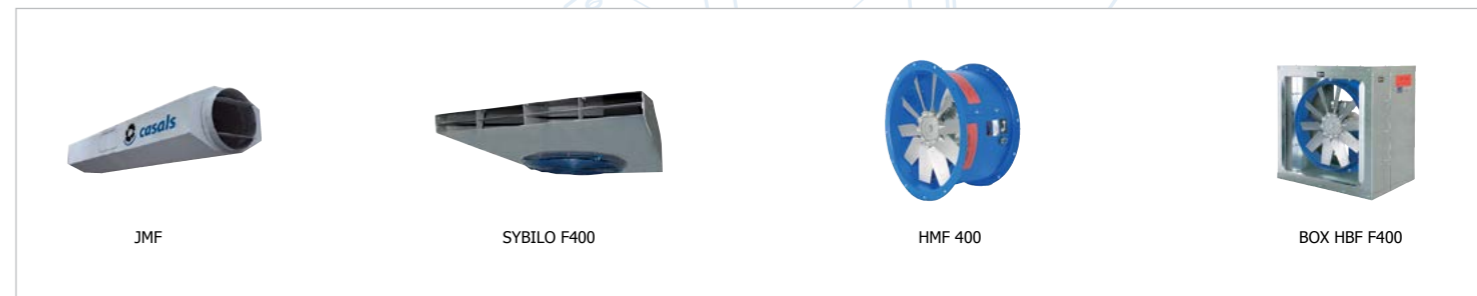
# ATEX FANS

ATEX compliant fans available in centrifugal, axial or inline duct versions.



# SMOKE FANS

Induction jet fans, smoke extract for industrial & commercial buildings and car park ventilation.



# AXAIR

FANS UK LIMITED



Lowfield Drive  
Centre 500  
Wolstanton  
Newcastle-Under-Lyme  
ST5 0UU



01782 349430



01782 349439



sales@axair-fans.co.uk



[WWW.AXAIR-FANS.CO.UK](http://WWW.AXAIR-FANS.CO.UK)

