

Fan Filters Technical Information

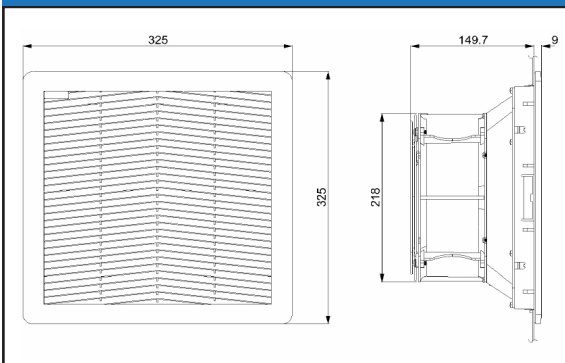
“FPF20K” SERIES FAN FILTERS

Description: Fan filters 115/230/400 V a.c.

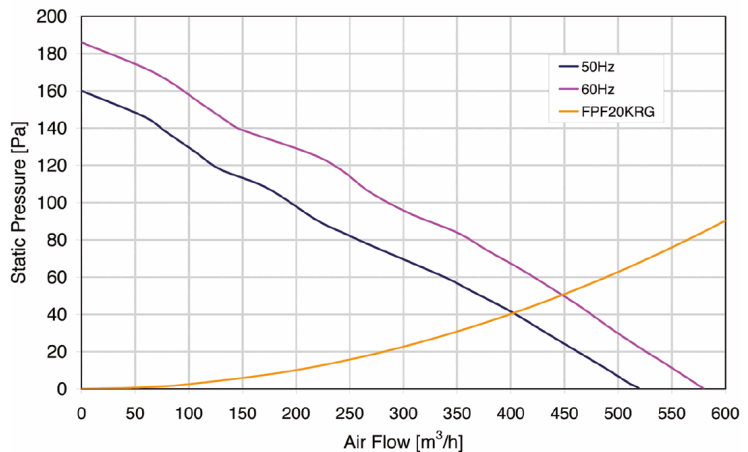
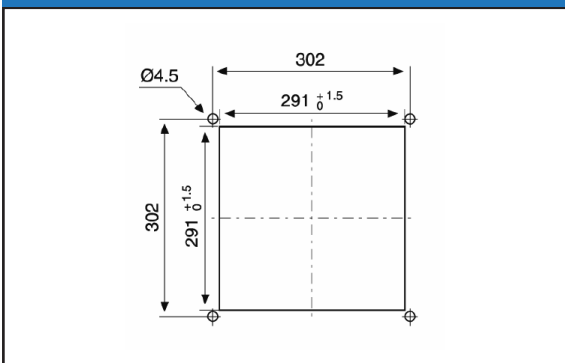


Type of material:	ABS/PC alloy
Standard color:	RAL 7032, RAL 7035 and RAL 9005 - other colors on request
Protection degree:	IP54, according to EN 60529 standard
Fixing method:	by elastic hooks, otherwise by four 4.8 mm self-threading screws
Plate thickness:	from 1.5 mm to 2.2 mm
Storage temperature:	from -30°C to +75°C
Motor Lifetime L10 at 40°C (approx.):	50,000 h
Working class of capacitor:	class B
Motor protection:	thermal
Electrical connection:	by terminal block 3 poles L-N-PE or 4 poles L1-L2-L3-PE
Earth connection:	(by terminal block, PE pole)
Appliance class:	Class I
Type of filter media:	thermo-linked progressive structure synthetic fibre
Filtering class:	class G3, according to EN 779
Degree of separation:	85% - DIN 24185
Dust retention capacity:	600 g/m ²
Note:	filter media is washable for about 10 times
Weight:	3.7 kg
Approvals:	CE

Technical drawing



Mounting cut-out



All specifications, data and drawings are subject to change without notice and are approximate. Please refer to our terms of sales including our warranty and limited liabilities clauses.

Model	Voltage	Frequency	Rated Current	Rated Power	Max Air Flow**	Static Pressure	Fan Noise	Rated Temp. Range	Approvals
	(V)	(Hz)	(A)	(W)	(m ³ /h)	(Pa)	[db(A)]	(°C)	
FPF20K*115BE-120	115 V a.c.	50/60	0.54/0.65	50/64	520/580	160/186	66.0/69.2	-10 ÷ +55	CE
FPF20K*115BER-120	115 V a.c.	50/60	0.54/0.65	50/64	520/580	160/186	66.0/69.2	-10 ÷ +55	CE
FPF20K*230BE-120	230 V a.c.	50/60	0.300/0.382	67/87	520/580	160/186	65.3/68.1	-10 ÷ +50	CE
FPF20K*230BER-120	230 V a.c.	50/60	0.300/0.382	67/87	520/580	160/186	65.3/68.1	-10 ÷ +50	CE
FPF20K*400TBE-120	400 V a.c.	50/60	0.140/0.130	71/93	520/580	160/186	69.8/72.7	-10 ÷ +55	CE
FPF20KR400TBER-120	400 V a.c.	50/60	0.140/0.130	71/93	520/580	160/186	69.8/72.7	-10 ÷ +55	CE

* U = RAL 7035 R = RAL 7032 N = RAL 9005 ** data with uncertainty of 15%

All specifications, data and drawings are subject to change without notice and are approximate. Please refer to our terms of sales including our warranty and limited liabilities clauses.