

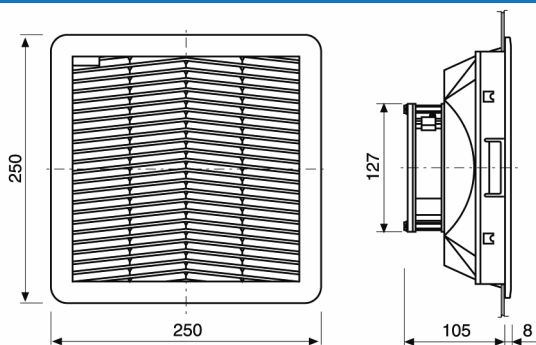
"FPF15KM" SERIES FAN FILTERS

Description: Fan Filter 115/230 Va.c.

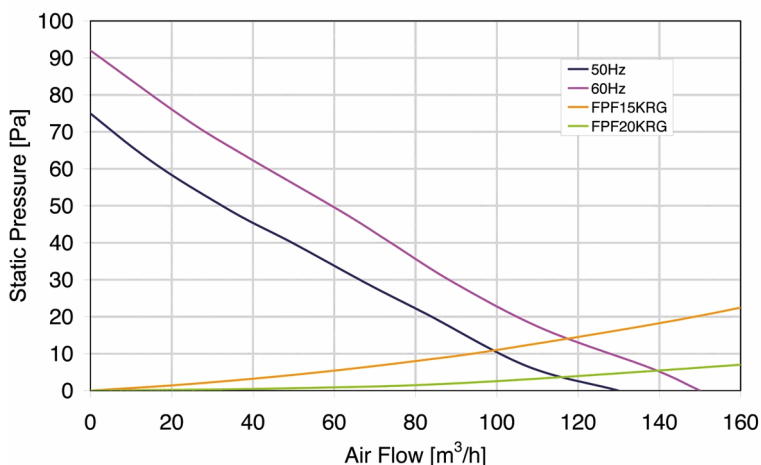
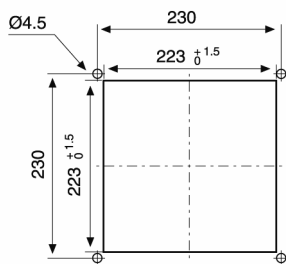


- Type of material:** ABS/PC alloy
- Standard color:** RAL 7032, RAL 7035 and RAL 9005 - other colors on request
- Protection degree:** IP54, according to EN 60529 Std
Type 12, according to UL 508 Std
- Fixing system:** by elastic hooks, otherwise by four 4.8 mm self-threading screws
- Plate thickness:** from 1.5 mm to 2.2 mm
- Storage temperature:** from -40°C to +70°C
- Motor Lifetime L10 at 40°C:** 45,000 h
- Motor protection:** impedance
- Electrical connection:** by terminal block 3 poles L-N-PE, 2.5 mm² (12 AWG)
- Earth connection:** by PE pole
- Appliance class:** Class I
- Type of filter media:** thermo-linked progressive structure synthetic fibre
- Filtering class:** class G3, according to EN 779
- Degree of separation:** 85% - DIN 24185
- Dust retention capacity:** 600 g/m²
- Note:** filter media is washable for about 10 times
- Weight:** 1.4 Kg
- Approvals:** CE, UL E237844

Technical drawing



Mounting cut-out



Model	Voltage (V)	Frequency (Hz)	Rated Current (A)	Rated Power (W)	Max Air Flow** (m3/h)	Static Pressure (Pa)	Fan Noise [db(A)]	Rated Temp. Range (°C)	Approvals
FPF15KM*115BE-110	115 V a.c.	50/60	0.200/0.160	14/12	130/150	75/92	46.0/50.0	-10 ÷ +50	CE; cURus
FPF15KMR115BER-110	115 V a.c.	50/60	0.200/0.160	14/12	130/150	75/92	46.0/50.0	-10 ÷ +50	CE; cURus
FPF15KM*230BE-110	230 V a.c.	50/60	0.100/0.090	23/21	130/150	75/92	46.0/50.0	-10 ÷ +50	CE; cURus
FPF15KM*230BER-110	230 V a.c.	50/60	0.100/0.090	23/21	130/150	75/92	46.0/50.0	-10 ÷ +50	CE; cURus

* U = RAL 7035 R = RAL 7032 N = RAL 9005 **data with uncertainty of 15%

All specifications, data and drawing are subject to change without notice. Please refer to our terms of sales including our warranty and limited liabilities clauses.