

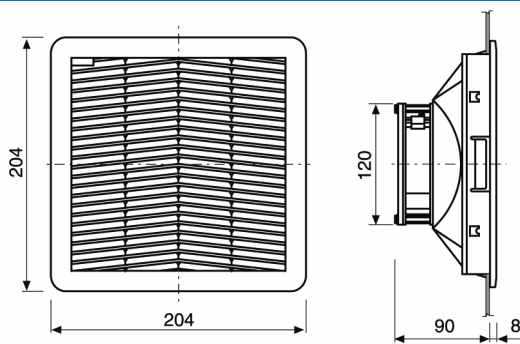
"FPF13KPD" SERIES FAN FILTERS

Description: Fan Filter 24 Vd.c.

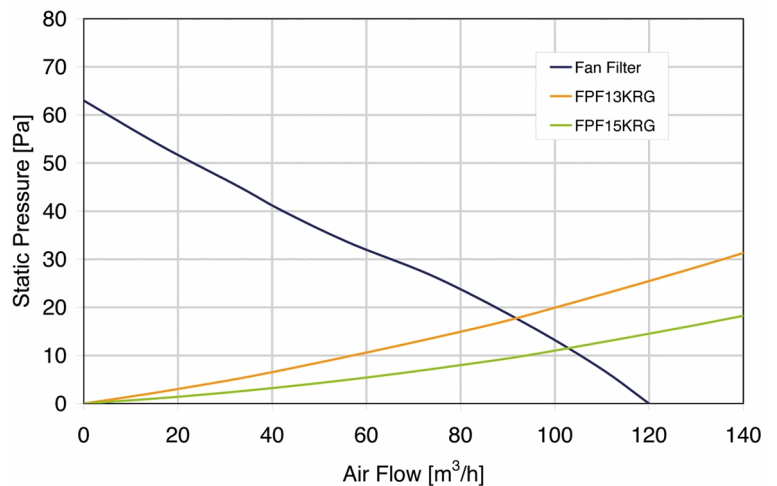
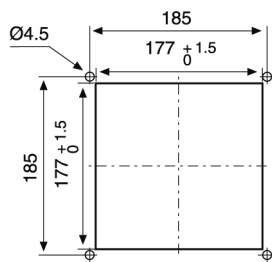


Type of material:	ABS/PC alloy
Standard color:	RAL 7032, RAL 7035 and RAL 9005 - other colors on request
Protection degree:	IP54, according to EN 60529 Std Type 12, according to UL 508 Std
Fixing system:	by elastic hooks, otherwise by four 4.8 mm self-threading screws
Plate thickness:	from 1.5 mm to 2.2 mm
Storage temperature:	from -40°C to +70°C
Motor Lifetime L10 at 40°C (approx.):	70,000 h
Motor protection:	overcurrent, reverse polarity
Electrical connection:	by terminal block 2 poles +, - 2.5 mm ² (12 AWG)
Appliance class:	Class III
Type of filter media:	thermo-linked progressive structure synthetic fibre
Filtering class:	class G3, according to EN 779
Degree of separation:	85% - DIN 24185
Dust retention capacity:	600 g/m ²
Note:	filter media is washable for about 10 times
Weight:	0.77 Kg
Approvals:	CE, UL E237844

Technical drawing



Mounting cut-out



Model	Voltage	Frequency	Rated Current	Rated Power	Max Air Flow**	Static Pressure	Fan Noise	Rated Temp. Range	Approvals
	(V)	(Hz)	(A)	(W)	(m3/h)	(Pa)	[db(A)]	(°C)	
FPF13KPRD24B-110	24 V d.c.	-	0.400	9.6	120	63	42.5	-10 ÷ +50	CE; cURus
FPF13KPRD24BR-110	24 V d.c.	-	0.400	9.6	120	63	42.5	-10 ÷ +50	CE; cURus

** data with uncertainty of 15%

All specifications, data and drawing are subject to change without notice. Please refer to our terms of sales including our warranty and limited liabilities clauses.