

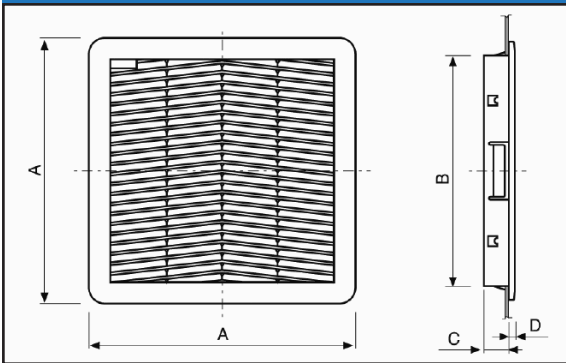
“FPF” SERIES FILTER UNITS

Description: Filter

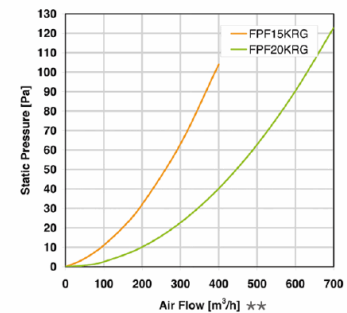
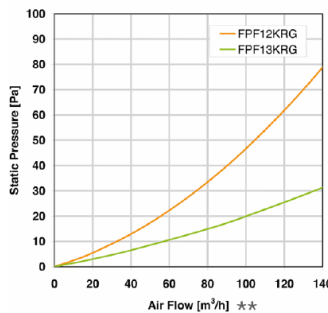
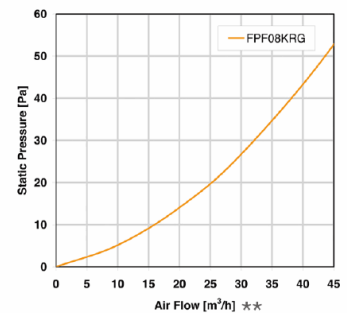
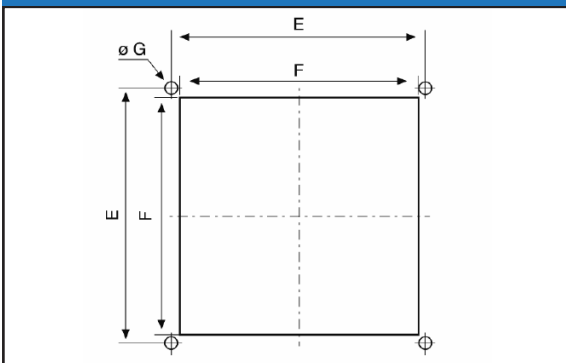


Type of material: ABS/PC Alloy
Standard color: RAL 7032, RAL 7035 and RAL 9005 - other colors on request
Protection degree: IP54, according to EN 60529 standard
Filtering class: Type 12, according to UL 508 standard
Fixing system: by elastic hooks, otherwise by four self-threading screws
Plate thickness: from 1.5 mm to 2.2 mm
Storage temperature: from -40°C to + 70°C
Filtering class: class G3, according to EN 779
Degree of separation: 85% - DIN 24185
Dust retention capacity: 600 g/m²
Note: filter media is washable for about 10 times
Approvals: CE; UL E237844

Technical drawing



Mounting cut-out



Model	A	B	C	D	E	F	G	Cross section free without media	Weight	Approvals
	(mm)	(mm)	(mm)	(mm)	(mm)	(mm)	(mm)	(cm ²)	(Kg)	
FPF08K*G-101	105	91	14	7	95	91.5	1.8	27	0.09	CE; cURus
FPF12K*G-100	150	124	21	7	131	125	4.5	53	0.18	CE; cURus
FPF13K*G-100	204	175	20	8	185	177	4.5	121	0.35	CE; cURus
FPF15K*G-100	250	220	23	8	230	223	4.5	225	0.54	CE; cURus
FPF20K*G-100	325	288	24	9	302	291	4.5	317	0.848	CE; cURus

data with uncertainty of 15% * U = RAL 7035 R = RAL 7032 N = RAL 9005

All specifications, data and drawings are subject to change without notice and are approximate. Please refer to our terms of sales including our warranty and limited liabilities clauses.