

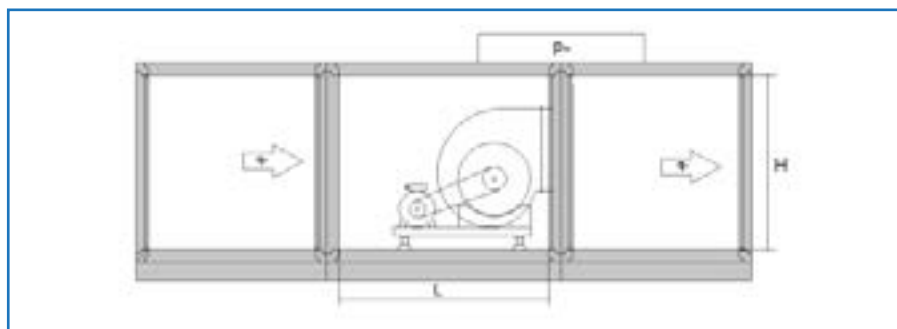
CONTACT NAME	TELEPHONE NUMBER
---------------------	-------------------------

COMPANY & PROJECT NAME/RFQ NO'	EMAIL ADDRESS
---	----------------------

AHU NUMBER	AHU LOCATION
-------------------	---------------------

FAN NAME PLATE Airflow* m3/h Stat. Pressure* Pa Year: Manufacturer: Type:	FAN MEASURED VALUES Airflow m3/h Stat. Pressure Pa Filter Pressure Pa Drop
---	---

MOTOR NAME PLATE Shaft Power: kW Nominal Current: A Speed: min-1 Cos: Drive: Belt Direct	MOTOR/VFD MEASURED VALUES Voltage: V Nominal Current: A Speed: min-1 Power kW Measurement Point: Motor VFD
--	--



INNER DIMENSIONS	
Length (l)(mm)	
Width* (w)(mm)	
Height* (h)(mm)	
Supply	Extract

OPERATING HOURS	Airflow (%)	Hours per Day (h)	Day Per Week
Operating Time 1:			
Operating Time 2:			
Operating Time 3:			

Electricity Price : /kWh

I confirm that all information in this document is accurate.

Name: