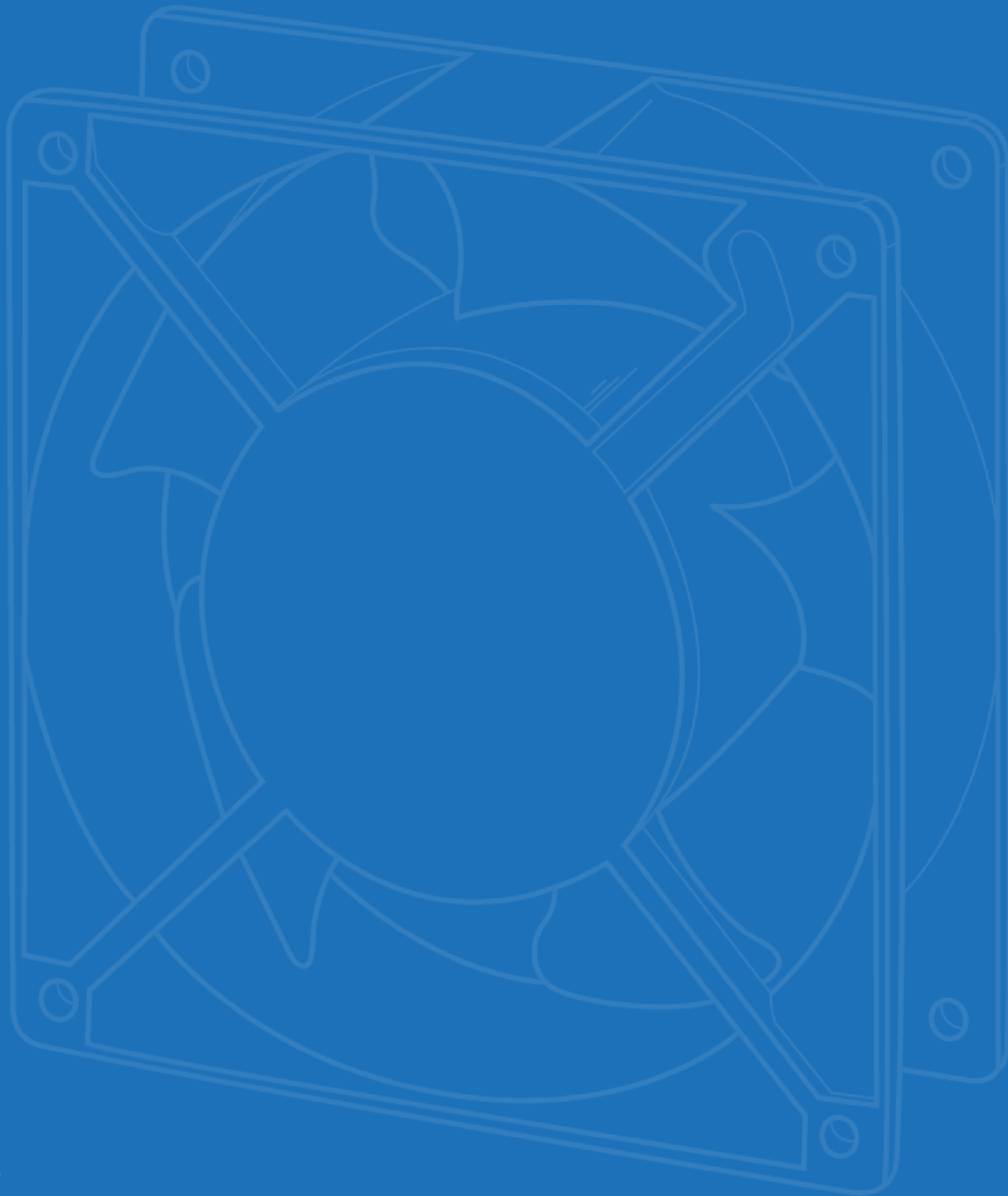


Compact Frame Axial Fans

Available in AC, EC and DC Versions

Compact frame axial fans are a versatile, cost-effective component that offer practical cooling solutions to a vast range of medium to high pressure applications. The standard IP20 level of ingress protection is offered on most AC compact axial fans with specialist IP55 and high temperature versions.



Fan Integration Experts

Axair are an independent UK distributor of industrial fans for OEM, commercial and industrial applications. Our team of technical engineers are experts in their field so your enquiry will always be handled by an experienced person who understands your application.



Our understanding of almost every ventilation system's requirements, enables us to select the most suitable industrial fan for any project."

Over the last 30 years, Axair has built up its reputation of supplying the widest range of fans available from a single source.

As fan integration experts, our most valued quality lies in our understanding of almost every ventilation system's requirements, enabling us to select the most suitable industrial fan for any project.

Our in-house team of technical experts are available to answer any air movement question you have.

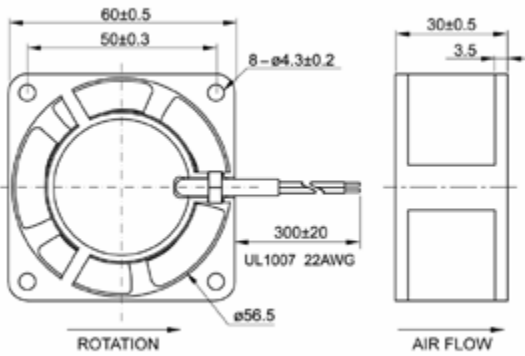
Contact our team on sales@axair-fans.co.uk to discuss your project in depth. We'll advise on possible fan integration options.



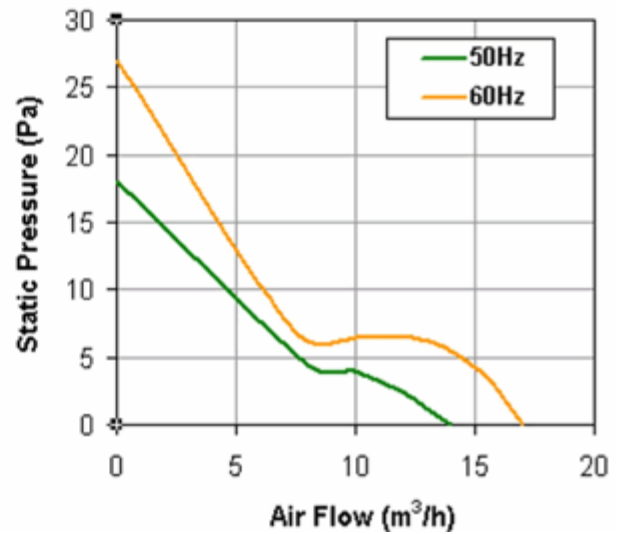
Frame Fans

"A06GF" SERIES COSTECH FANS

Description: a.c. axial fan 60x60x30 mm



Casing material:	Black varnished aluminum
Impeller material	Black fibreglass reinforced plastic (PBT PC) UL 94V-0
Protection degree:	IP20, according to EN 60529 standard
Fixing system:	by No 4 M4 screws
Motor protection:	Impedance
Storage temperature:	from -40°C to +80°C
Rated temperature range:	from -40°C to +70°C
Lifetime L10 at 40°C:	40,000 h
Electrical connection:	2 leads 22AWG UL 1007, 300 mm long.
Weight:	0.14 kg
Approvals:	UL E223195

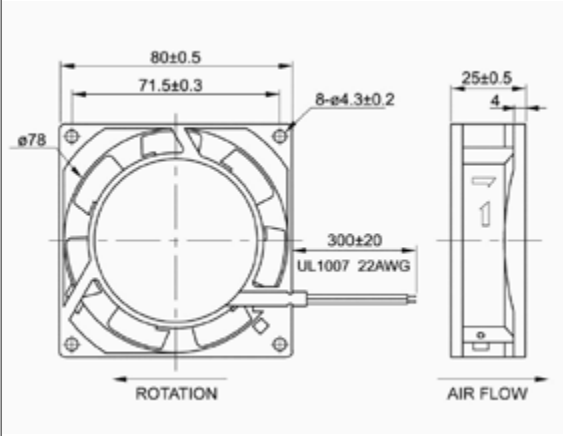


Model	Bearing	Voltage (V)	Frequency (Hz)	Rated Current (A)	Rated Power (W)	Max Air Flow** (m3/h)	Static Pressure (Pa)	Noise [db(A)]	RPM (rpm)	Approvals
A06G12HWBF00	Ball	115 V a.c.	50/60	0.042/0.035	5.0/4.0	14/17	18/27	27.0/28.0	2,200/2,800	CE; cURus
A06G23HWBF00	Ball	230 V a.c.	50/60	0.025/0.021	5.0/4.0	14/17	17/27	27.0/28.0	2,400/3,000	CE; cURus

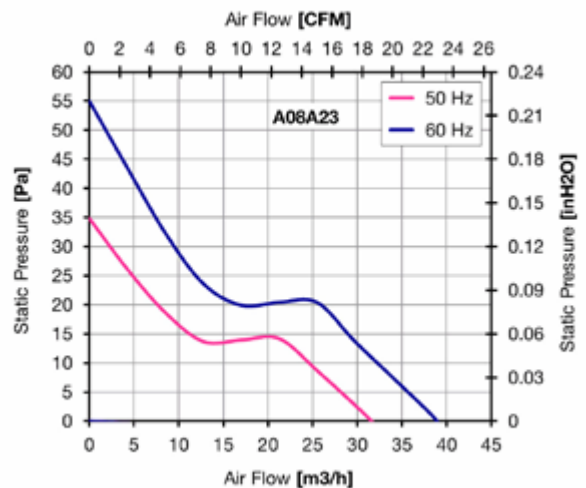
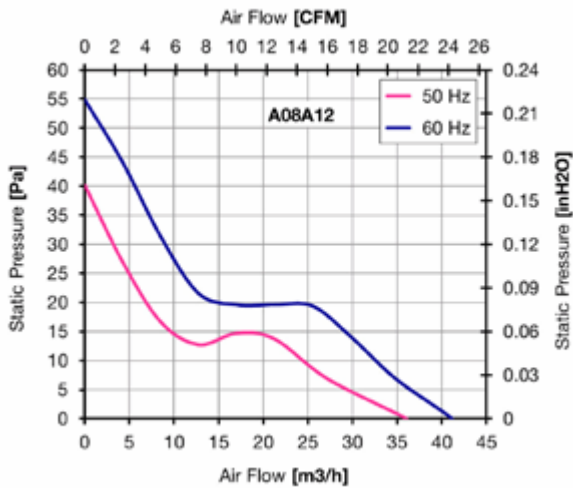
Frame Fans

"A08AF" SERIES COSTECH FANS

Description: Axial fan a.c. 80x80x25mm



- Casing material:** aluminium die casting alloy ADC-12
- Impeller material:** black fibreglass reinforced plastic (PBT) UL 94V-0
- Protection degree:** IP44, according to EN 60529 standard
- Fixing system:** 4 holes Ø4.3 mm
- Motor protection:** impedance
- Storage temperature:** from -40°C to +80°C
- Rated temperature range:** from -40°C to +70°C
- Lifetime L10 at 40°C:** 40,000 h ball bearing
15,000 h sleeve bearing
- Electrical connection:** 2 leads 22AWG UL 1007, 300 mm long
- Weight:** 0.26 kg
- Approvals:** CE; UL E223195

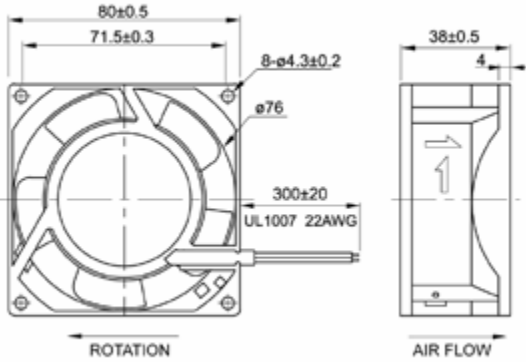


Model	Bearing	Voltage (V)	Frequency (Hz)	Rated Current (A)	Rated Power (W)	Max Air Flow** (m3/h)	Static Pressure (Pa)	Noise [db(A)]	RPM (rpm)	Approvals
A08A12HWBF00	Ball	115 V a.c.	50/60	0.150/0.120	14/11	36/41	40/55	32.0/35.0	2,600/3,100	CE; cURus
A08A12HWSF00	Sleeve	115 V a.c.	50/60	0.150/0.120	14/11	36/41	40/55	32.0/35.0	2,600/3,100	CE; cURus
A08A23HWBF00	Ball	230 V a.c.	50/60	0.080/0.070	16/14	32/39	35/55	32.0/35.0	2,600/3,100	CE; UR
A08A23HWSF00	Sleeve	230 V a.c.	50/60	0.080/0.070	16/14	32/39	35/55	32.0/35.0	2,600/3,100	CE; UR

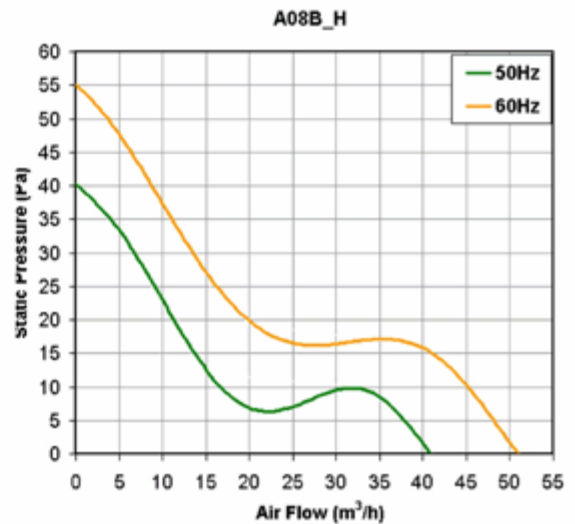
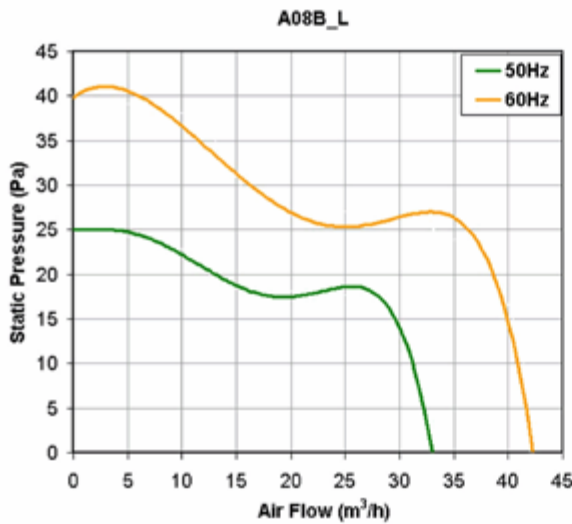
Frame Fans

"A08BF" SERIES COSTECH FANS

Description: Axial fan a.c. 80x80x38mm



Casing material:	Black varnished aluminum
Impeller material	Black fibreglass reinforced plastic (PBT PC) UL 94V-0
Protection degree:	IP20, according to EN 60529 standard
Fixing system:	by No 4 M4 screws
Motor protection:	Impedance
Storage temperature:	from -40°C to +80°C
Rated temperature range:	from -40°C to +70°C
Lifetime L10 at 40°C:	over 40,000 h
Electrical connection:	2 leads 22AWG UL 1007, 300 mm long.
Approvals:	UL E223195
Weight:	0.28 kg

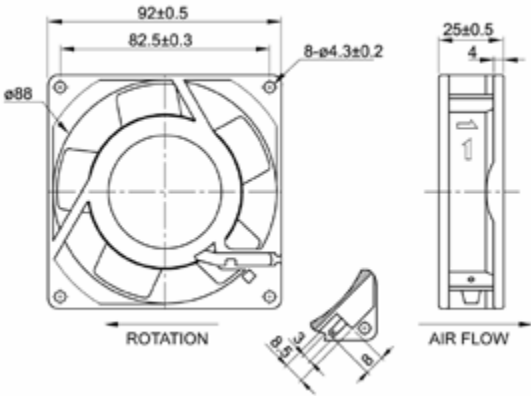


Model	Bearing	Voltage	Frequency	Rated Current	Rated Power	Max Air Flow**	Static Pressure	Noise	RPM	Approvals
		(V)	(Hz)	(A)	(W)	(m3/h)	(Pa)	[db(A)]	(rpm)	
A08B12HWBF00	Ball	115 V a.c.	50/60	0.140/0.120	14/12	41/51	40/55	32.0/36.0	2,500/3,000	CE; cURus
A08B12HWSF00	Sleeve	115 V a.c.	50/60	0.140/0.120	14/12	41/51	40/55	32.0/36.0	2,500/3,000	CE; cURus
A08B12LWBF00	Ball	115 V a.c.	50/60	0.120/0.100	12/9.0	33/42	25/40	28.0/32.0	1,900/2,400	CE; cURus
A08B12LWSF00	Sleeve	115 V a.c.	50/60	0.120/0.100	12/9.0	33/42	25/40	28.0/32.0	1,900/2,400	CE; cURus
A08B23HWBF00	Ball	230 V a.c.	50/60	0.070/0.060	14/12	41/51	40/55	32.0/36.0	2,500/3,000	CE; UR
A08B23HWSF00	Sleeve	230 V a.c.	50/60	0.070/0.060	14/12	41/51	40/55	32.0/36.0	2,500/3,000	CE; UR
A08B23LWBF00	Ball	230 V a.c.	50/60	0.060/0.050	14/12	33/42	25/40	28.0/32.0	1,900/2,400	CE; UR
A08B23LWSF00	Sleeve	230 V a.c.	50/60	0.060/0.050	14/12	33/42	25/40	28.0/32.0	1,900/2,400	CE; UR

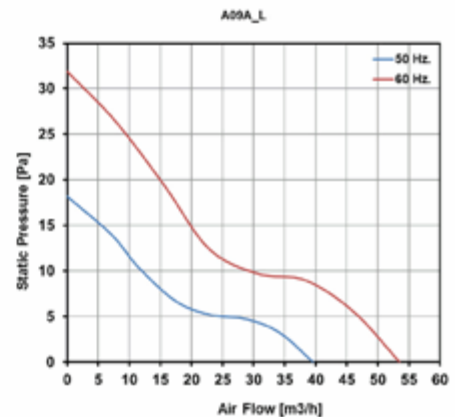
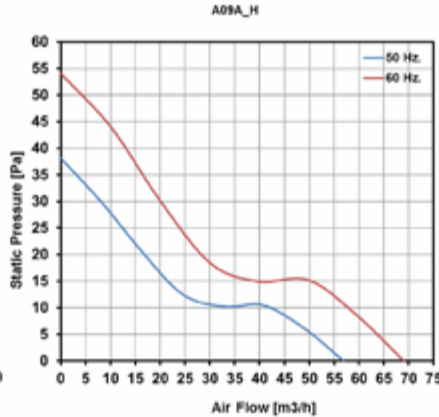
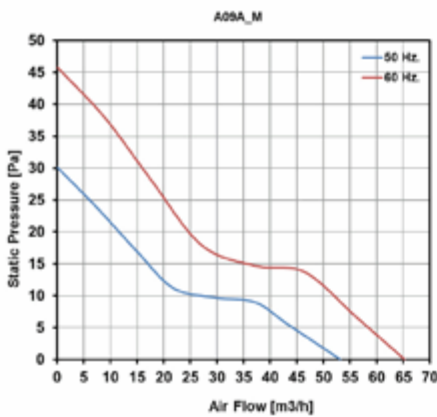
Frame Fans

"A09AF" SERIES COSTECH FANS

Description: Axial fan a.c. 92x92x25mm



- Casing material:** Black wamished aluminum
- Impeller material:** Black fibreglass reinforced plastic (PBT PC)
UL 94V-0
- Protection degree:** IP44, according to EN 60529 standard
- Fixing system:** by No 4 M4 screws
- Motor protection:** Impedance
- Storage temperature:** from -40°C to +80°C
- Rated temperature range:** from -40°C to +70°C (ball bearing)
over 40,000 h (ball bearing);
over 15,000 h (sleeve bearing)
- Lifetime L10 at 40°C:** over 40,000 h (ball bearing);
over 15,000 h (sleeve bearing)
- Electrical connection:** flat terminals 110 series (2.8x0.5 mm)
- Approvals:** UL E223195
- Weight:** 0.28 kg

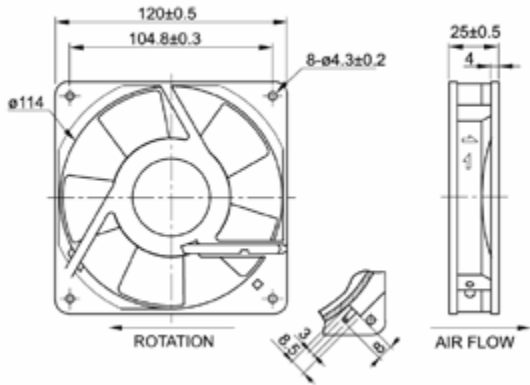


Model	Bearing	Voltage	Frequency	Rated Current	Rated Power	Max Air Flow**	Static Pressure	Noise	RPM	Approvals
		(V)	(Hz)	(A)	(W)	(m3/h)	(Pa)	[db(A)]	(rpm)	
A09A12HTBF00	Ball	115 V a.c.	50/60	0.150/0.120	14/11	56/68	37/54	32.0/36.0	2,500/3,000	CE; cURus
A09A12HTSF00	Sleeve	115 V a.c.	50/60	0.150/0.120	14/11	56/68	37/54	32.0/36.0	2,500/3,000	CE; cURus
A09A23HTBF00	Ball	230 V a.c.	50/60	0.080/0.070	16/14	56/68	37/54	32.0/36.0	2,500/3,000	CE; UR
A09A23HTSF00	Sleeve	230 V a.c.	50/60	0.080/0.070	16/14	56/68	37/54	32.0/36.0	2,500/3,000	CE; UR
A09A23LTBF00	Ball	230 V a.c.	50/60	0.070/0.060	16/14	39/53	17/32	28.0/32.0	1,800/2,300	CE
A09A23LTSF00	Sleeve	230 V a.c.	50/60	0.070/0.060	16/14	39/53	17/32	28.0/32.0	1,800/2,300	CE; cURus
A09A23MTBF00	Ball	230 V a.c.	50/60	0.070/0.060	16/14	51/63	30/45	28.0/32.0	2,200/2,750	CE; UR
A09A23MTSF00	Sleeve	230 V a.c.	50/60	0.070/0.060	16/14	51/63	30/45	28.0/32.0	2,200/2,750	CE; UR

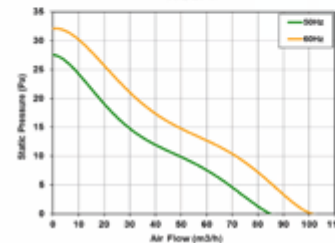
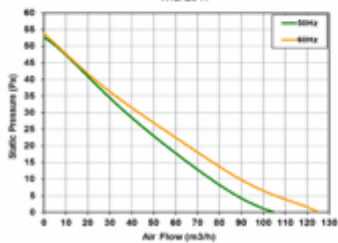
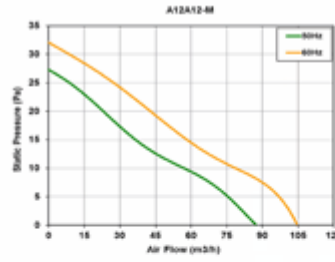
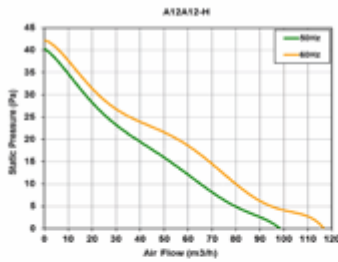
Frame Fans

"A12AF" SERIES COSTECH FANS

Description: Axial fan a.c. 120X120x25mm



Casing material:	Black varnished aluminum
Impeller material	Black fibreglass reinforced plastic (PBT) UL 94V-0
Protection degree:	IP20 for A12A12MT* and A12A23MT*, IP44 for A12A12HT* and A12A23HT*, according to EN 60529 standard
Fixing system:	by No 4 M4 screws
Motor protection:	Impedance
Storage temperature:	from -40°C to +80°C
Rated temperature range:	from -40°C to +70°C
Lifetime L10 at 40°C:	over 40,000 h (ball bearing); over 15,000 h (sleeve bearing)
Electrical connection:	flat terminals 110 series (2.8x0.5 mm)
Approvals:	UL E223195
Weight:	0.33 kg



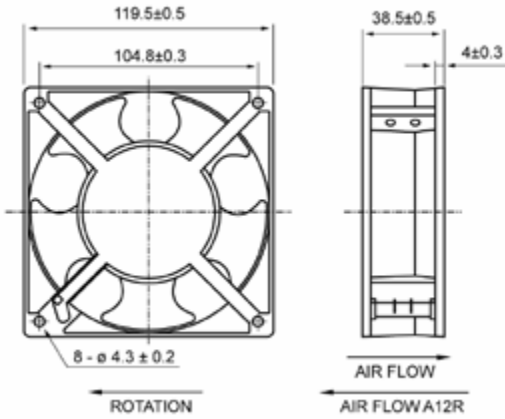
Model	Bearing	Voltage	Frequency	Rated Current	Rated Power	Max Air Flow	Static Pressure	Noise	RPM	Approvals
		(V)	(Hz)	(A)	(W)	(m3/h)	(Pa)	[db(A)]	(rpm)	
A12A12HTBF00	Ball	115 V a.c.	50/60	0.150/0.120	14/11	99/117	42/40	38.0/42.0	2,400/2,900	CE; cURus;
A12A12HTSF00	Sleeve	115 V a.c.	50/60	0.150/0.120	14/11	99/117	42/40	38.0/42.0	2,400/2,900	CE; cURus;
A12A12MTBF00	Ball	115 V a.c.	50/60	0.150/0.120	14/11	87/105	27/32	33.0/35.0	2,050/2,500	CE; cURus;
A12A12MTSF00	Sleeve	115 V a.c.	50/60	0.150/0.120	14/11	87/105	27/32	33.0/35.0	2,050/2,500	CE; cURus;
A12A23HTBF00	Ball	230 V a.c.	50/60	0.080/0.070	16/14	109/127	52/52	38.0/42.0	2,400/2,900	CE; UR;
A12A23HTSF00	Sleeve	230 V a.c.	50/60	0.080/0.070	16/14	109/127	52/52	38.0/42.0	2,400/2,900	CE; UR;
A12A23MTBF00	Ball	230 V a.c.	50/60	0.070/0.060	16/14	87/102	27/32	34.0/36.0	2,000/2,400	CE; UR;
A12A23MTSF00	Sleeve	230 V a.c.	50/60	0.070/0.060	16/14	87/102	27/32	34.0/36.0	2,000/2,400	CE; UR;

Buy Online

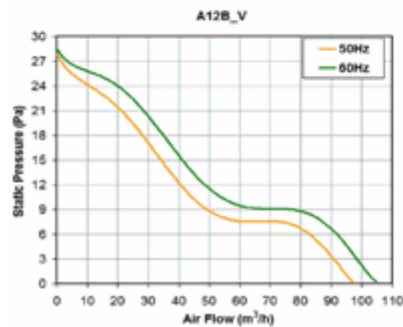
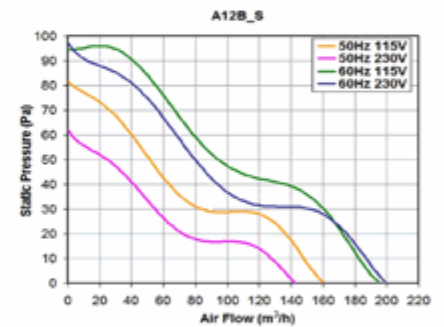
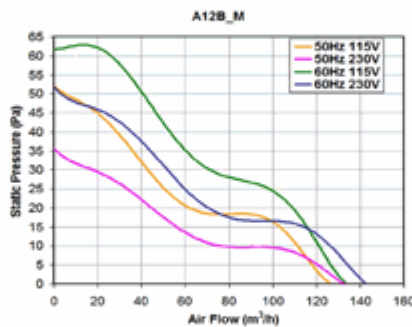
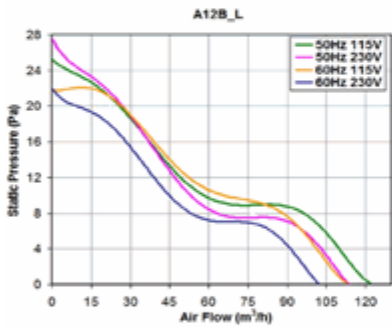
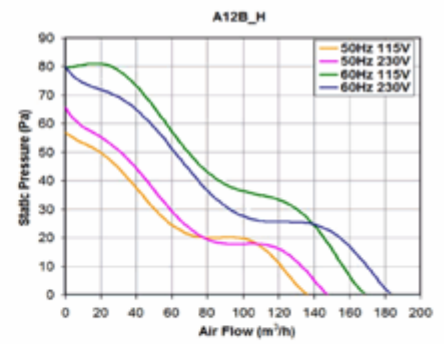
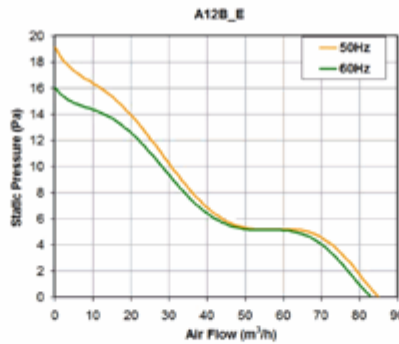
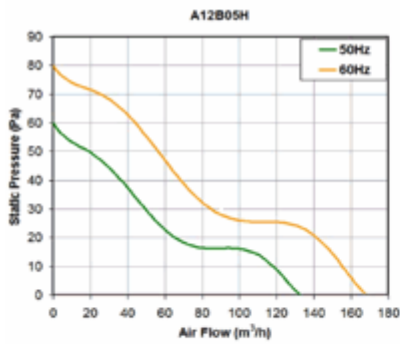
Frame Fans

"A12BW" SERIES COSTECH FANS

Description: Axial fan a.c. 120X120x38mm



- Casing material:** die-casting aluminium painted black
- Impeller material:** black thermoplastic UL 94V-0
- Protection degree:** IP20, according to EN 60529 standard
- Insulation class:** A
- Fixing system:** 4 holes Ø4.3 mm
- Motor protection:** impedance
- Storage temperature:** from -40°C to +70°C
- Rated temperature range:** from -10°C to +60°C
- Lifetime L10 at 40°C:** 30.000 h
- Electrical connection:** flat terminals
- Weight:** 0.550 kg
- Approvals:** UL E223195; VDE 40009963



Frame Fans

Model	Bearing	Voltage (V)	Frequency (Hz)	Rated Current (A)	Rated Power (W)	Max Air Flow (m3/h)	Static Pressure (Pa)	Noise [db(A)]	RPM (rpm)	Approvals
A12B12HTBW00	Ball	115 V a.c.	50/60	0.210/0.180	20/18	148/182	65/80	46.0/49.0	2,750/3,050	CE; cURus; VDE;
A12B12HTSW00	Sleeve	115 V a.c.	50/60	0.210/0.180	20/18	138/178	55/75	44.0/48.0	2,750/3,050	CE; cURus; VDE;
A12B12LTBW00	Ball	115 V a.c.	50/60	0.120/0.130	11/11	133/122	35/32	42.0/40.0	2,300/2,100	CE; cURus; VDE;
A12B12LTSW00	Sleeve	115 V a.c.	50/60	0.130/0.110	11/11	115/104	35/20	41.0/37.0	2,200/1,800	CE; cURus; VDE;
A12B12MTBW00	Ball	115 V a.c.	50/60	0.170/0.160	16/15	136/143	52/62	44.0/46.0	2,500/2,700	CE; cURus; VDE;
A12B12MTSW00	Sleeve	115 V a.c.	50/60	0.170/0.160	16/15	129/141	50/52	44.0/46.0	2,400/2,600	CE; cURus; VDE;
A12B12STBW00	Ball	115 V a.c.	50/60	0.260/0.240	22/20	165/182	75/95	48.0/50.0	2,850/3,150	CE; cURus; VDE;
A12B12STSW00	Sleeve	115 V a.c.	50/60	0.260/0.240	22/23.8	165/182	62/95	47.0/50.0	2,700/3,100	CE; cURus; VDE;
A12B12VTBW00	Ball	115 V a.c.	50/60	0.096/0.089	8.1/7.5	98/105	28/28	37.0/38.0	1,850/1,900	CE;VDE
A12B23ETBW00	Ball	230 V a.c.	50/60	0.035/0.035	6.5/6.0	83/82	16/16	29.0/28.0	1,500/1,450	CE;VDE
A12B23ETSW00	Sleeve	230 V a.c.	50/60	0.04/0.04	6.5/6.0	83/82	16/16	29.0/28.0	1,500/1,450	CE;VDE
A12B23HTBW00	Ball	230 V a.c.	50/60	0.130/0.110	20/19	139/182	60/80	46.0/49.0	2,750/3,050	CE; cURus; VDE;
A12B23HTSW00	Sleeve	230 V a.c.	50/60	0.130/0.110	20/19	138/178	55/75	44.0/48.0	2,55/2,900	CE; cURus; VDE;
A12B23LTBW00	Ball	230 V a.c.	50/60	0.050/0.060	11/10	114/102	27/22	44.0/42.0	2,200/1,800	CE; cURus; VDE;
A12B23LTSW00	Sleeve	230 V a.c.	50/60	0.050/0.060	11/10	115/104	35/20	41.0/37.0	2,200/1,800	CE; cURus; VDE;
A12B23MTBW00	Ball	230 V a.c.	50/60	0.090/0.080	16/15	133/143	47/57	43.0/45.0	2,400/2,600	CE; cURus; VDE;
A12B23MTSW00	Sleeve	230 V a.c.	50/60	0.090/0.080	16/15	129/141	50/52	44.0/46.0	2,300/2,500	CE; cURus; VDE;
A12B23STBW00	Ball	230 V a.c.	50/60	0.140/0.120	22/21	143/199	62/97	47.0/50.0	2,700/3,100	CE; cURus; VDE;
A12B23STSW00	Sleeve	230 V a.c.	50/60	0.140/0.120	22/21	141/182	62/95	47.0/50.0	2,600/3,100	CE; cURus; VDE;
A12B23VTBW00	Ball	230 V a.c.	50/60	0.050/0.050	10/10	98/105	27/27	37.0/38.0	1,850/1,900	CE; VDE;
A12B05HTBW00	Ball	24 V a.c.	50/60	0.80/0.77	14/14	129/142	55/40	45.0/48.0	2,550/2,800	CE;
A12B05HTSW00	Sleeve	24 V a.c.	50/60	0.75/0.73	13.2/13.2	147/142	55/50	46.0/45.0	2,530/2,430	CE;
A12B05LTBW00	Ball	24 V a.c.	50/60	0.71/0.65	13/12	105/115	30/30	38.0/40.0	1,920/2,090	CE;

Frame Fans

A12B12HWBW00

AC axial fans



Axial fans provide forced-air cooling solution to temperature-sensitive applications. Compact fans with AC shaded pole or capacitor and DC brushless motor are designed for ventilation and spot cooling of internal machinery components, especially in areas in confined spaces. Available also versions tested to withstand harsh environmental conditions (IP55, IP68, all metal and HTR fans).

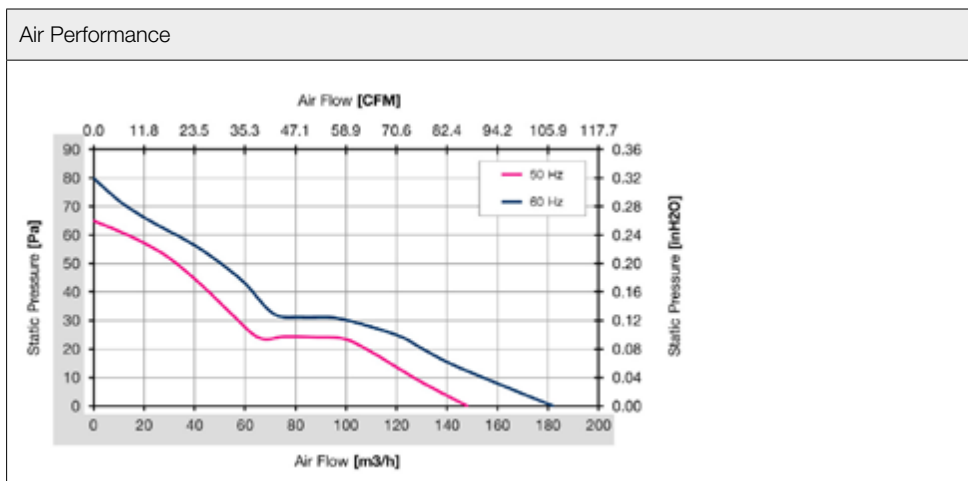
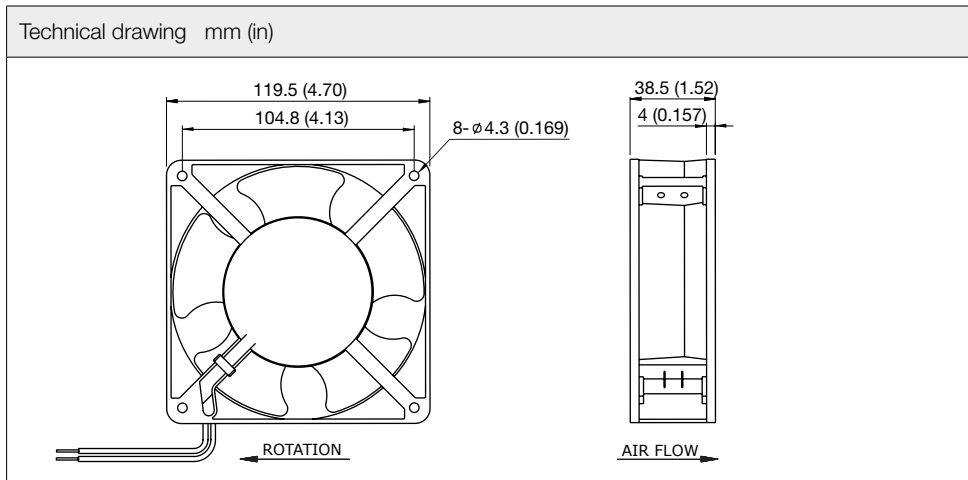
Technical data		
APPROVALS		
Approvals	CE; cURus; VDE	
PERFORMANCE		
Max Airflow	148/182	m ³ /h
	87/107	CFM
Max Static Pressure	65/80	Pa
	0.26/0.32	in H2O
RPM	2750/3050	RPM
ELECTRICAL DATA		
Rated Voltage	115	V a.c.
Rated Current	0.21/0.18	A
Rated Power	20/18	W
Operating Voltage	85-125	V a.c.
Frequency	50/60	Hz
Appliance Class	I	
Insulation Class	A	
Motor Protection	Impedance Protected	
MECHANICAL DATA		
Bearing	Ball Bearing	
GENERIC DATA		
Casing Material	Die-Casting Aluminium	
Airflow Direction	Air exhaust over brackets	

Frame Fans

A12B12HWBW00

AC axial fans

Technical data		
Electrical Connection	Wires	
Life Expectancy	40000	h at 25 °C
	40000	h at 77 °F
Fan Noise	46/49	dB(A)
Cable Length	310	mm
	12.20	in
Fixing System	Screws	
ENVIRONMENTAL AND THERMAL DATA		
IP Protection Degree	IP20	
Operating Temperature	-10÷60	°C
	14÷140	°F
Storage Temperature	-40÷70	°C
	-40÷158	°F
UL DATA		
UL File Number Recognized Component	E223195	



Buy Online

Frame Fans

A12B23SWBW00 | AC axial fans



Axial fans provide forced-air cooling solution to temperature-sensitive applications. Compact fans with AC shaded pole or capacitor and DC brushless motor are designed for ventilation and spot cooling of internal machinery components, especially in areas in confined spaces. Available also versions tested to withstand harsh environmental conditions (IP55, IP68, all metal and HTR fans).

Technical data		
APPROVALS		
Approvals	CE; cURus; VDE	
PERFORMANCE		
Max Airflow	143/199 84/117	m³/h CFM
Max Static Pressure	62/97 0.25/0.39	Pa in H2O
RPM	2700/3100 RPM	
ELECTRICAL DATA		
Rated Voltage	230	V a.c.
Rated Current	0.14/0.12 A	
Rated Power	22/21 W	
Operating Voltage	216-244 V a.c.	
Frequency	50/60 Hz	
Appliance Class	I	
Insulation Class	A	
Motor Protection	Impedance Protected	
MECHANICAL DATA		
Bearing	Ball Bearing	
GENERIC DATA		
Casing Material	Die-Casting Aluminium	
Airflow Direction	Air exhaust over brackets	

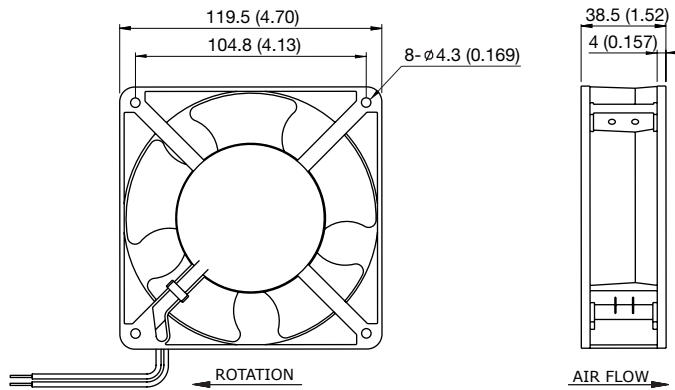
Frame Fans

A12B23SWBW00

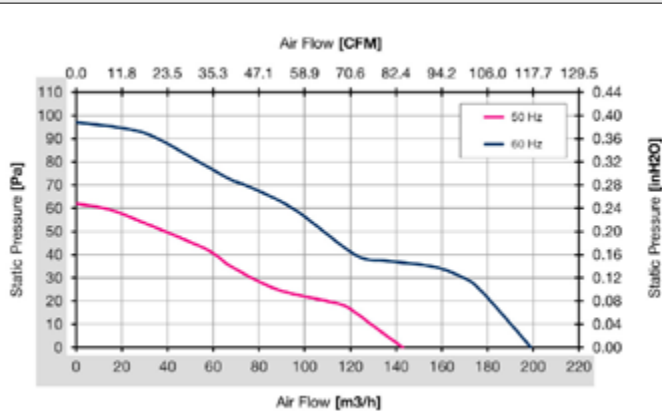
AC axial fans

Technical data		
Electrical Connection	Wires	
Life Expectancy	40000	h at 25 °C
	40000	h at 77 °F
Fan Noise	47/50	dB(A)
Cable Length	310	mm
	12.20	in
Fixing System	Screws	
ENVIRONMENTAL AND THERMAL DATA		
IP Protection Degree	IP20	
Operating Temperature	-10÷60	°C
	14÷140	°F
Storage Temperature	-40÷70	°C
	-40÷158	°F
UL DATA		
UL File Number Recognized Component	E223195	

Technical drawing mm (in)



Air Performance

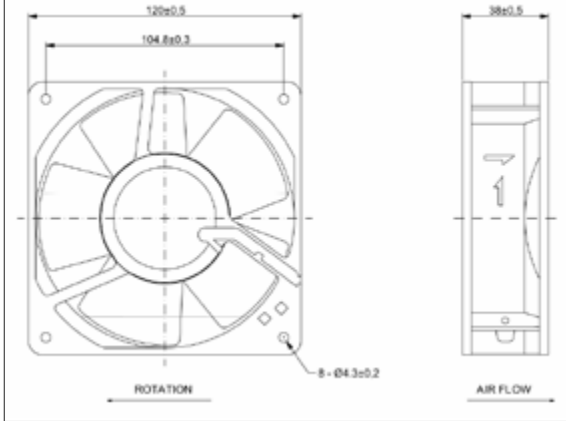


Buy Online

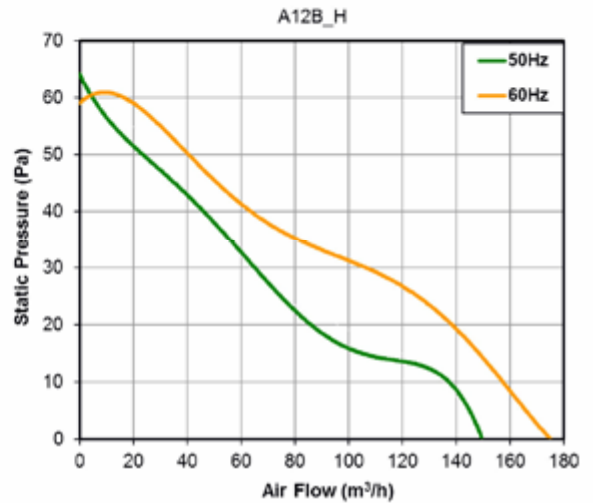
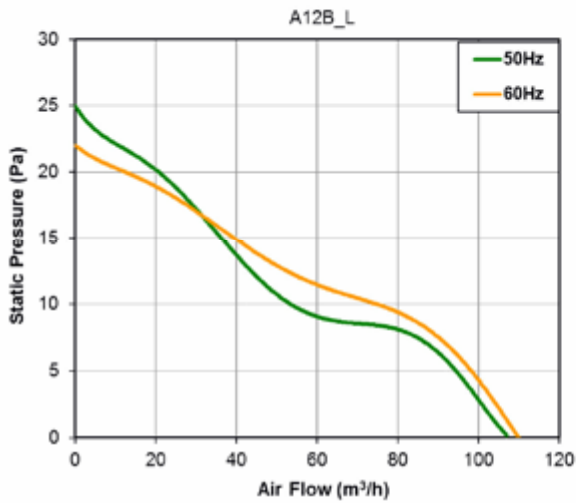
Frame Fans

A12BMT SERIES

Description: Axial fan a.c. 120x120x38mm



- Casing material:** Black warrnished aluminum
- Impeller material:** Metal
- Protection degree:** IP20, according to EN 60529 standard
- Fixing system:** by No 2 M4 screws
- Insulation class:** F
- Motor protection:** thermal
- Storage temperature:** from -40°C to +90°C
- Rated temperature range:** from -40°C to +90°C
- Lifetime L10 at 40°C:** 40,000 h
- Electrical connection:** N°2 male faston 2.8x0.8
- Approvals:** UL E223195
- Weight:** 0.55 kg

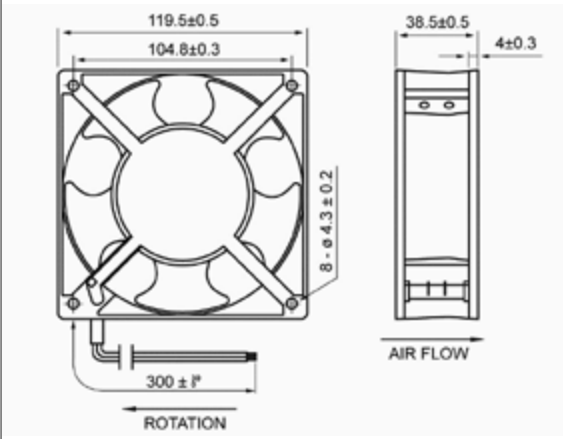


Model	Bearing	Voltage (V)	Frequency (Hz)	Rated Current (A)	Rated Power (W)	Max Air Flow** (m3/h)	Static Pressure (Pa)	Noise [db(A)]	RPM (rpm)	Approvals
A12B12HTBMT0	Ball	115 V a.c.	50/60	0.100/0.090	17/15	150/175	64/59	42.0/46.0	2,700/3,100	CE
A12B12LTBMT0	Ball	115 V a.c.	50/60	0.060/0.050	17/15	110/115	25/22	33.0/35.0	2,000/2,050	CE
A12B23HTBMT0	Ball	230 V a.c.	50/60	0.100/0.090	17/15	150/175	64/59	42.0/46.0	2,700/3,100	CE; cURus
A12B23LTBMT0	Ball	230 V a.c.	50/60	0.060/0.050	17/15	110/115	25/22	33.0/35.0	2,000/2,050	CE; cURus

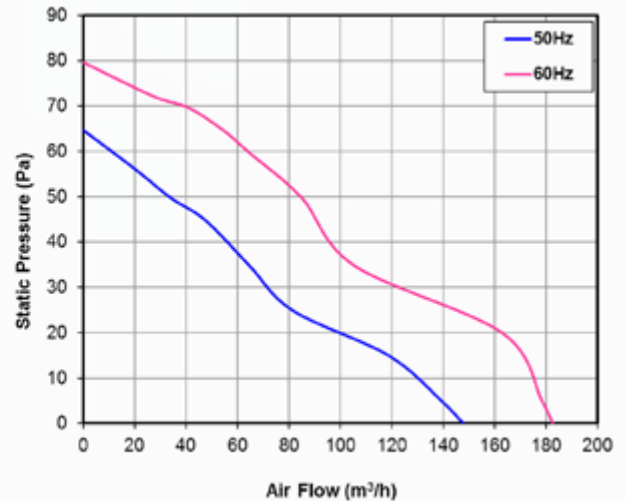
Frame Fans

"A12B23HWPW00" COSTECH FANS

Description: Axial fan a.c. 120X120x38mm



Casing material:	die-casting aluminium painted black
Impeller material	black thermoplastic UL 94V-0
Protection degree:	IP20, according to EN 60529 standard
Fixing system:	by No 2x 4 holes Ø4.3mm
Motor protection:	impedance
Insulation class:	A
Electrical connection:	2 leads 24 AWG UL, 300mm long
Storage temperature range:	from -40°C to +70°C
Rated temperature range:	from -10°C to +60°C
Lifetime L10 at 25°C:	40,000h
Weight:	0.53kg
Approvals:	CE, UL E223195, VDE 40009963



Model	Bearing	Voltage	Frequency	Rated Current	Rated Power	Max Air Flow	Static Pressure	Noise	RPM	Approvals
		(V)	(Hz)	(A)	(W)	(m³/h)	(Pa)	[db(A)]	(rpm)	
A12B23HWPW00	Ball	230 V a.c.	50/60	0.130/0.110	20/19	148/182	65/80	46.0/49.0	2,600/3,050	CE; cURus; VDE;

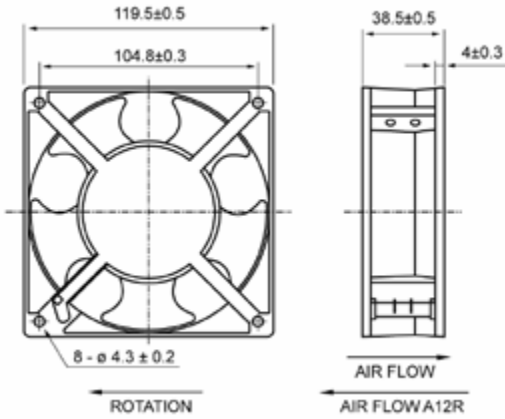
data with uncertainty of 15%

Buy Online

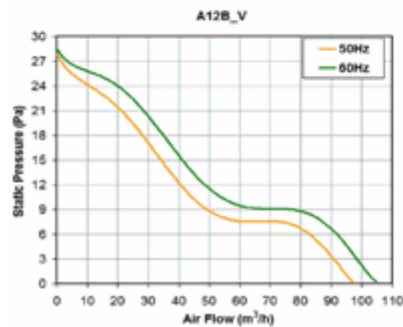
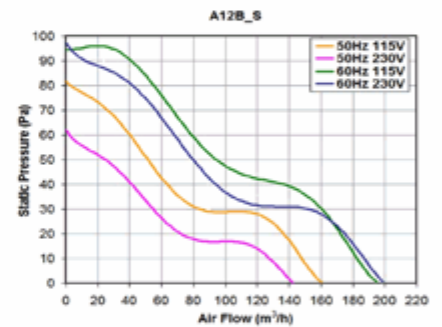
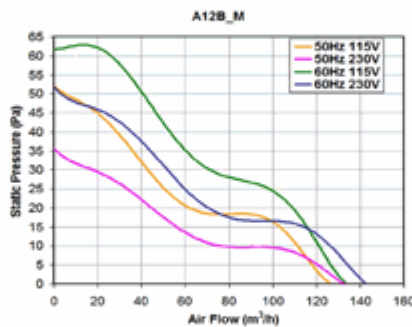
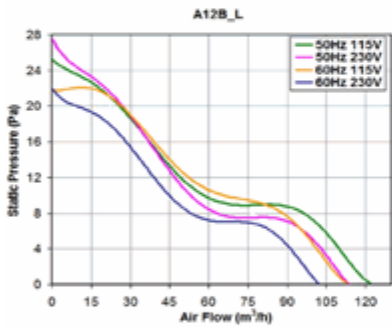
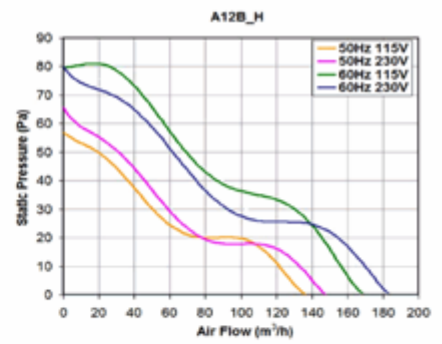
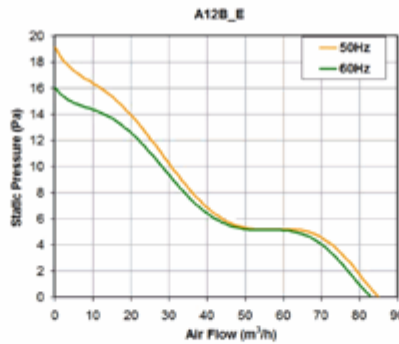
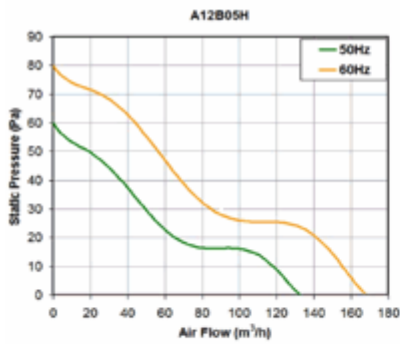
Frame Fans

"A12BW" SERIES COSTECH FANS

Description: Axial fan a.c. 120X120x38mm



- Casing material:** die-casting aluminium painted black
- Impeller material:** black thermoplastic UL 94V-0
- Protection degree:** IP20, according to EN 60529 standard
- Insulation class:** A
- Fixing system:** 4 holes Ø4.3 mm
- Motor protection:** impedance
- Storage temperature:** from -40°C to +70°C
- Rated temperature range:** from -10°C to +60°C
- Lifetime L10 at 40°C:** 30.000 h
- Electrical connection:** flat terminals
- Weight:** 0.550 kg
- Approvals:** UL E223195; VDE 40009963



Frame Fans

Model	Bearing	Voltage (V)	Frequency (Hz)	Rated Current (A)	Rated Power (W)	Max Air Flow (m3/h)	Static Pressure (Pa)	Noise [db(A)]	RPM (rpm)	Approvals
A12B12HTBW00	Ball	115 V a.c.	50/60	0.210/0.180	20/18	148/182	65/80	46.0/49.0	2,750/3,050	CE; cURus; VDE;
A12B12HTSW00	Sleeve	115 V a.c.	50/60	0.210/0.180	20/18	138/178	55/75	44.0/48.0	2,750/3,050	CE; cURus; VDE;
A12B12LTBW00	Ball	115 V a.c.	50/60	0.120/0.130	11/11	133/122	35/32	42.0/40.0	2,300/2,100	CE; cURus; VDE;
A12B12LTSW00	Sleeve	115 V a.c.	50/60	0.130/0.110	11/11	115/104	35/20	41.0/37.0	2,200/1,800	CE; cURus; VDE;
A12B12MTBW00	Ball	115 V a.c.	50/60	0.170/0.160	16/15	136/143	52/62	44.0/46.0	2,500/2,700	CE; cURus; VDE;
A12B12MTSW00	Sleeve	115 V a.c.	50/60	0.170/0.160	16/15	129/141	50/52	44.0/46.0	2,400/2,600	CE; cURus; VDE;
A12B12STBW00	Ball	115 V a.c.	50/60	0.260/0.240	22/20	165/182	75/95	48.0/50.0	2,850/3,150	CE; cURus; VDE;
A12B12STSW00	Sleeve	115 V a.c.	50/60	0.260/0.240	22/23.8	165/182	62/95	47.0/50.0	2,700/3,100	CE; cURus; VDE;
A12B12VTBW00	Ball	115 V a.c.	50/60	0.096/0.089	8.1/7.5	98/105	28/28	37.0/38.0	1,850/1,900	CE;VDE
A12B23ETBW00	Ball	230 V a.c.	50/60	0.035/0.035	6.5/6.0	83/82	16/16	29.0/28.0	1,500/1,450	CE;VDE
A12B23ETSW00	Sleeve	230 V a.c.	50/60	0.04/0.04	6.5/6.0	83/82	16/16	29.0/28.0	1,500/1,450	CE;VDE
A12B23HTBW00	Ball	230 V a.c.	50/60	0.130/0.110	20/19	139/182	60/80	46.0/49.0	2,750/3,050	CE; cURus; VDE;
A12B23HTSW00	Sleeve	230 V a.c.	50/60	0.130/0.110	20/19	138/178	55/75	44.0/48.0	2,55/2,900	CE; cURus; VDE;
A12B23LTBW00	Ball	230 V a.c.	50/60	0.050/0.060	11/10	114/102	27/22	44.0/42.0	2,200/1,800	CE; cURus; VDE;
A12B23LTSW00	Sleeve	230 V a.c.	50/60	0.050/0.060	11/10	115/104	35/20	41.0/37.0	2,200/1,800	CE; cURus; VDE;
A12B23MTBW00	Ball	230 V a.c.	50/60	0.090/0.080	16/15	133/143	47/57	43.0/45.0	2,400/2,600	CE; cURus; VDE;
A12B23MTSW00	Sleeve	230 V a.c.	50/60	0.090/0.080	16/15	129/141	50/52	44.0/46.0	2,300/2,500	CE; cURus; VDE;
A12B23STBW00	Ball	230 V a.c.	50/60	0.140/0.120	22/21	143/199	62/97	47.0/50.0	2,700/3,100	CE; cURus; VDE;
A12B23STSW00	Sleeve	230 V a.c.	50/60	0.140/0.120	22/21	141/182	62/95	47.0/50.0	2,600/3,100	CE; cURus; VDE;
A12B23VTBW00	Ball	230 V a.c.	50/60	0.050/0.050	10/10	98/105	27/27	37.0/38.0	1,850/1,900	CE; VDE;
A12B05HTBW00	Ball	24 V a.c.	50/60	0.80/0.77	14/14	129/142	55/40	45.0/48.0	2,550/2,800	CE;
A12B05HTSW00	Sleeve	24 V a.c.	50/60	0.75/0.73	13.2/13.2	147/142	55/50	46.0/45.0	2,530/2,430	CE;
A12B05LTBW00	Ball	24 V a.c.	50/60	0.71/0.65	13/12	105/115	30/30	38.0/40.0	1,920/2,090	CE;

Frame Fans

A12B23HWBWF0

IP55 AC fans



Axial fans provide forced-air cooling solution to temperature-sensitive applications. Compact fans with AC shaded pole or capacitor and DC brushless motor are designed for ventilation and spot cooling of internal machinery components, especially in areas in confined spaces. Available also versions tested to withstand harsh environmental conditions (IP55, IP68, all metal and HTR fans).

Technical data		
APPROVALS		
Approvals	CE	
PERFORMANCE		
Max Airflow	139/182 82/107	m ³ /h CFM
Max Static Pressure	60/80 0.24/0.32	Pa in H ₂ O
RPM	2750/3050	RPM
ELECTRICAL DATA		
Rated Voltage	230	V a.c.
Rated Current	0.13/0.11	A
Rated Power	20/19	W
Operating Voltage	207-253	V a.c.
Frequency	50/60	Hz
Appliance Class	I	
Insulation Class	A	
Motor Protection	Impedance Protected	
MECHANICAL DATA		
Bearing	Ball Bearing	
GENERIC DATA		
Casing Material	Die-Casting Aluminium	
Airflow Direction	Air exhaust over brackets	

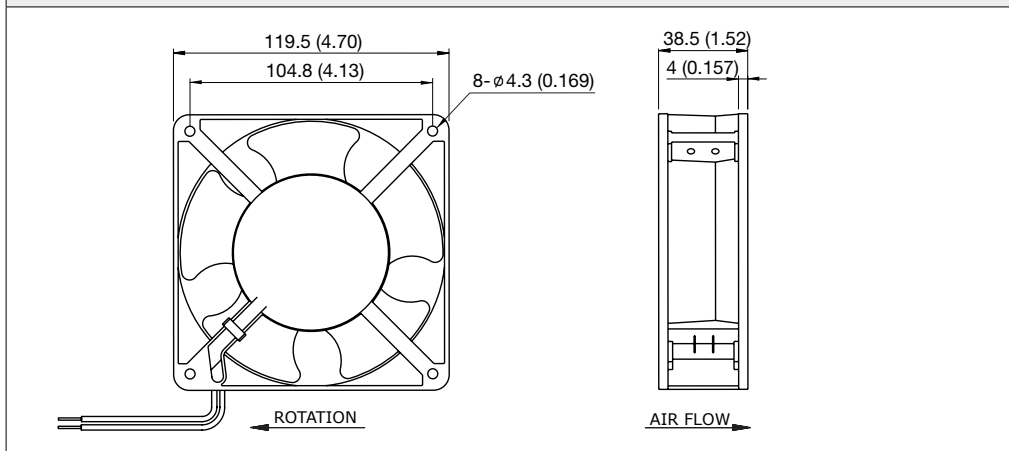
Frame Fans

A12B23HWBWF0

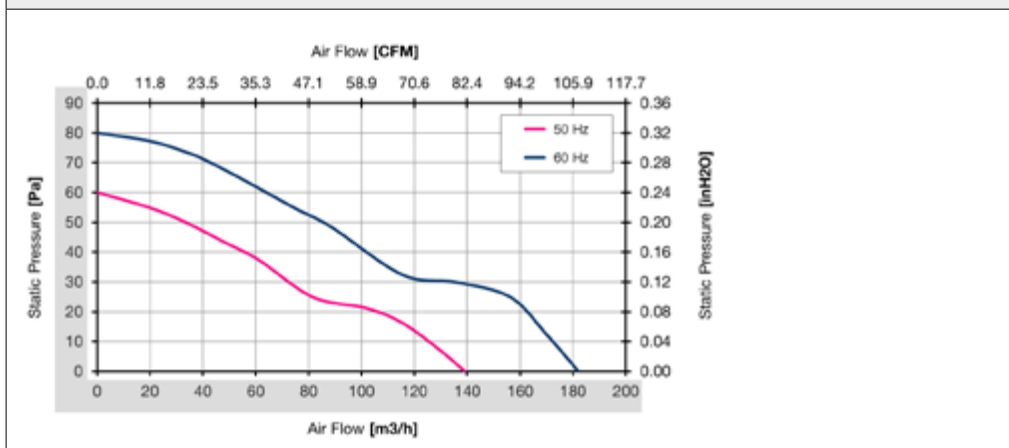
IP55 AC fans

Technical data		
Electrical Connection	Wires	
Life Expectancy	30000	h at 40 °C
	30000	h at 104 °F
Fan Noise	46/49	dB(A)
Cable Length	310	mm
	12.20	in
Fixing System	Screws	
ENVIRONMENTAL AND THERMAL DATA		
IP Protection Degree	IP55	
Operating Temperature	-30÷60	°C
	-22÷140	°F
Storage Temperature	-40÷70	°C
	-40÷158	°F

Technical drawing mm (in)



Air Performance



Buy Online

Frame Fans

A12W23HWBW00 | AC axial fans



Axial fans provide forced-air cooling solution to temperature-sensitive applications. Compact fans with AC shaded pole or capacitor and DC brushless motor are designed for ventilation and spot cooling of internal machinery components, especially in areas in confined spaces. Available also versions tested to withstand harsh environmental conditions (IP55, IP68, all metal and HTR fans).

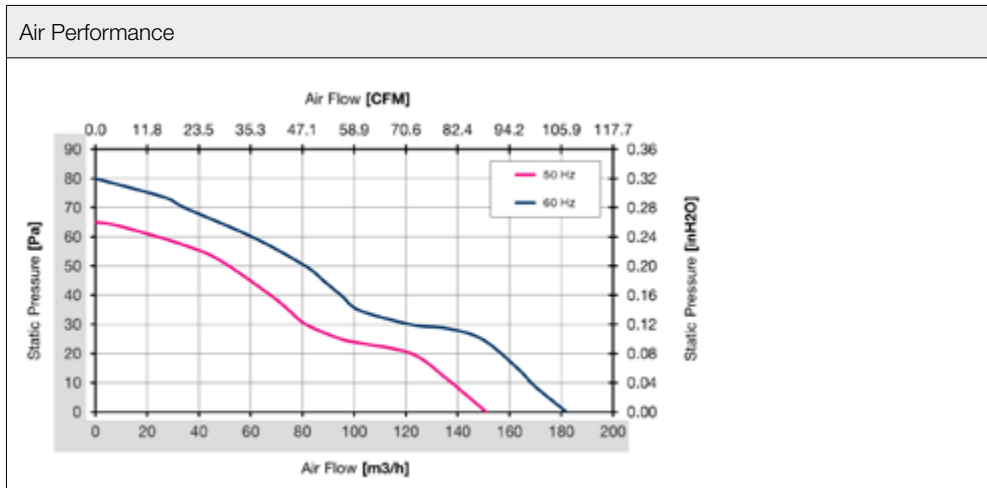
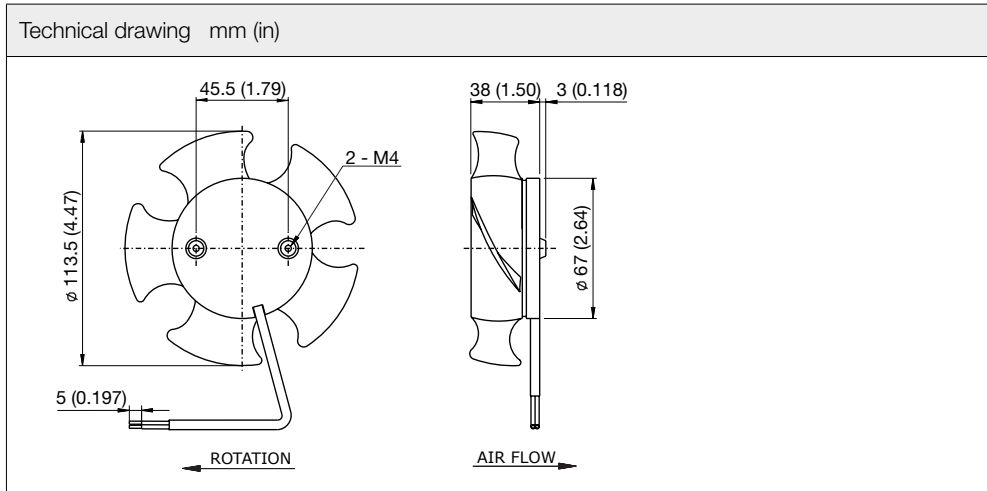
Technical data		
APPROVALS		
Approvals	CE; cURus	
PERFORMANCE		
Max Airflow	151/182	m ³ /h
	89/107	CFM
Max Static Pressure	65/80	Pa
	0.26/0.32	in H2O
RPM	2550/2900	RPM
ELECTRICAL DATA		
Rated Voltage	230	V a.c.
Rated Current	0.125/0.11	A
Rated Power	20/19	W
Operating Voltage	216-244	V a.c.
Frequency	50/60	Hz
Appliance Class	I	
Insulation Class	A	
Motor Protection	Impedance Protected	
MECHANICAL DATA		
Bearing	Ball Bearing	
GENERIC DATA		
Casing Material	Die-Casting Aluminium	
Airflow Direction	Air exhaust over brackets	

Frame Fans

A12W23HWBW00

AC axial fans

Technical data		
Electrical Connection	Wires	
Life Expectancy	30000	h at 40 °C
	30000	h at 104 °F
Fan Noise	46/49	dB(A)
Cable Length	300	mm
	11.81	in
Fixing System	Screws	
ENVIRONMENTAL AND THERMAL DATA		
IP Protection Degree	IP20	
Operating Temperature	-10÷70	°C
	14÷158	°F
Storage Temperature	-40÷70	°C
	-40÷158	°F
UL DATA		
UL File Number Recognized Component	E223195	

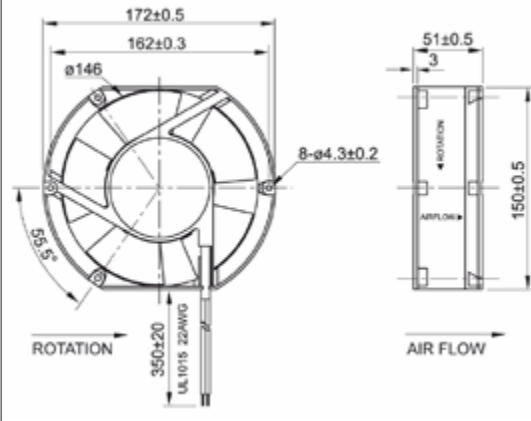


Buy Online

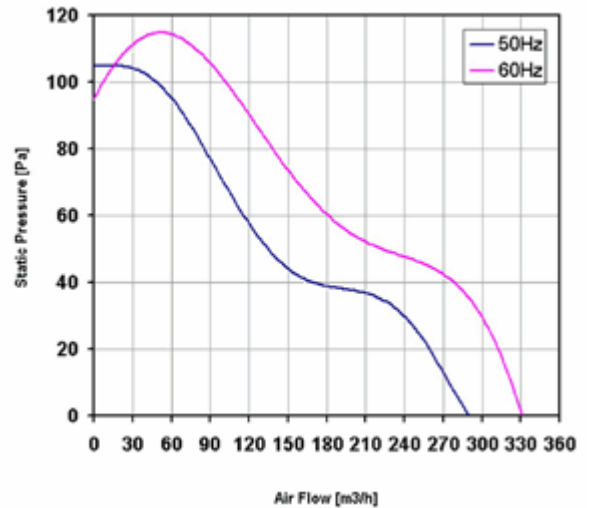
Frame Fans

"A17CF" SERIES COSTECH FANS

Description: Axial fan a.c. 172X150x51mm



- Casing material:** Black varnished aluminum UL 94V-0
- Impeller material:** Black fiberglass reinforced plastic (PBT PC) UL 94V-0
- Protection degree:** IP20, according to EN 60529 standard
- Fixing system:** by No 4 M4 screws
- Motor protection:** Impedance Protected
- Storage temperature:** from -40°C to +80°C
- Rated temperature range:** from -40°C to +60°C
- Lifetime L10 at 40°C:** 40,000 h
- Electrical connection:** 2 leads 22AWG UL 1015, 350 mm long
- Approvals:** UL E223195
- Weight:** 0,9 kg

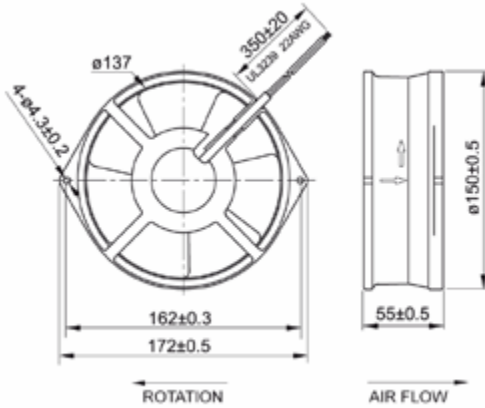


Model	Bearing	Voltage	Frequency	Rated Current	Rated Power	Max Air Flow	Static Pressure	Noise	RPM	Approvals
		(V)	(Hz)	(A)	(W)	(m3/h)	(Pa)	[db(A)]	(rpm)	
A17C12HWBF00	Ball	115 V a.c.	50/60	0.430/0.360	32/28	290/331	105/95	50.0/55.0	2,750/3,100	CE; cURus;
A17C23HWBF00	Ball	230 V a.c.	50/60	0.230/0.180	35/30	290/331	105/95	50.0/55.0	2,750/3,100	CE; cURus;

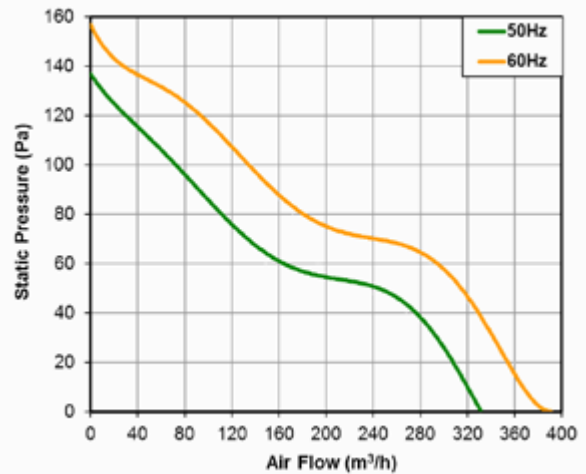
Frame Fans

"A17MM" SERIES COSTECH FANS

Description: Axial fan a.c. 172X150x55mm



Casing material:	Black varnished aluminum
Impeller material	Metal
Protection degree:	IP44, according to EN 60529 standard
Fixing system:	by No 2 M4 screws
Motor protection:	thermal
Storage temperature:	from -40°C to +80°C
Rated temperature range:	from -40°C to +70°C
Lifetime L10 at 40°C:	40,000 h
Electrical connection:	2 leads 22AWG UL 3239, 350 mm long
Weight:	1.1 kg
Approvals:	UL E223195

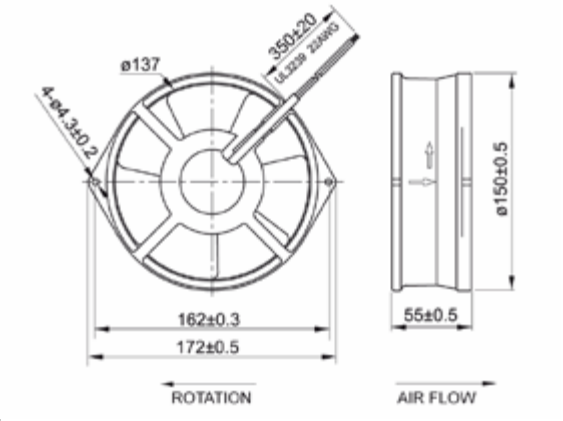


Model	Bearing	Voltage	Frequency	Rated Current	Rated Power	Max Air Flow**	Static Pressure	Noise	RPM	Approvals
		(V)	(Hz)	(A)	(W)	(m3/h)	(Pa)	[db(A)]	(rpm)	
A17M12SWBM00	Ball	115 V a.c.	50/60	0.52/0.470	42/42	332/391	137/157	49.0/53.0	2,800/3,250	CE; cURus
A17M23SWBM00	Ball	230 V a.c.	50/60	0.250/0.230	42/42	332/391	137/157	49.0/53.0	2,800/3,250	CE; cURus

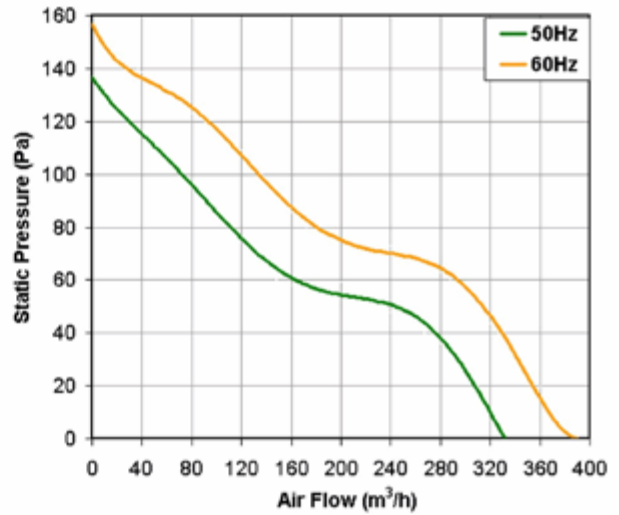
Frame Fans

"A17MMT" SERIES COSTECH FANS

Description: Axial fan a.c. 172X150x55mm



Casing material:	Black varnished aluminum
Impeller material	Metal
Protection degree:	IP44, according to EN 60529 standard
Fixing system:	by No 2 M4 screws
Insulation class:	F
Motor protection:	thermal
Storage temperature:	from -40°C to +90°C
Rated temperature range:	from -40°C to +90°C
Lifetime L10 at 40°C:	40,000 h
Electrical connection:	2 leads 22AWG UL 3239, 350 mm long
Approvals:	UL E223195
Weight:	1.1 kg

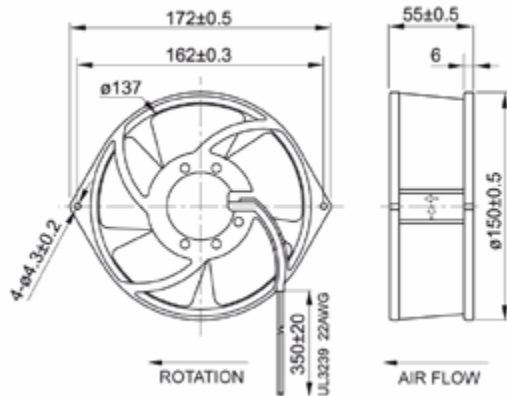


Model	Bearing	Voltage	Frequency	Rated Current	Rated Power	Max Air Flow**	Static Pressure	Noise	RPM	Approvals
		(V)	(Hz)	(A)	(W)	(m3/h)	(Pa)	[db(A)]	(rpm)	
A17M12SWBMT0	Ball	115 V a.c.	50/60	0.52/0.470	42/42	332/391	137/157	49.0/53.0	2,800/3,250	CE; cURus
A17M23SWBMT0	Ball	230 V a.c.	50/60	0.250/0.230	42/42	332/391	137/157	49.0/53.0	2,800/3,250	CE; cURus

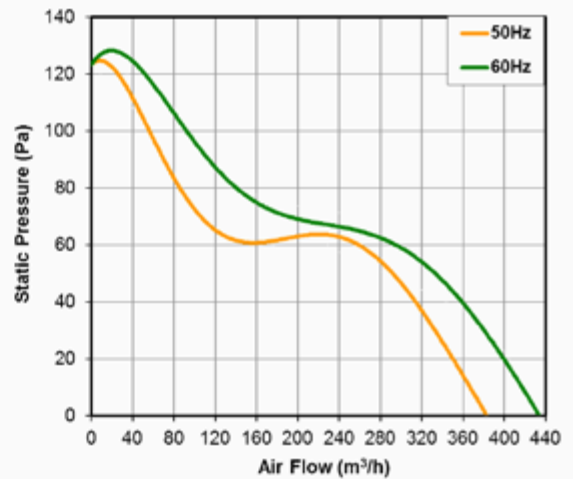
Frame Fans

"A17TM" SERIES COSTECH FANS

Description: Axial fan a.c. 172X150x55mm



Casing material:	Black varnished aluminum
Impeller material	Metal
Protection degree:	IP20, according to EN 60529 standard
Fixing system:	by No 2 M4 screws
Motor protection:	thermal
Storage temperature:	from -40°C to +90°C
Rated temperature range:	from -40°C to +70°C
Lifetime L10 at 40°C:	40,000 h
Electrical connection:	2 leads 22AWG UL 3239, 350 mm long
Approvals:	UL E223195
Weight:	1.1 kg



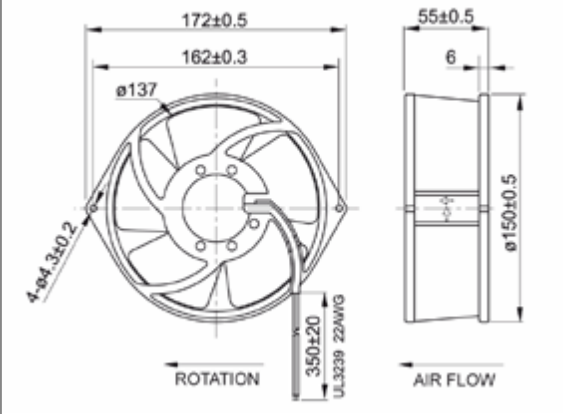
Model	Bearing	Voltage	Frequency	Rated Current	Rated Power	Max Air Flow**	Static Pressure	Noise	RPM	Approvals
		(V)	(Hz)	(A)	(W)	(m3/h)	(Pa)	[db(A)]	(rpm)	
A17T12SWBM00	Ball	115 V a.c.	50/60	0.54/0.51	45/45	383/434	123/126	58.0/61.0	2,750/3,150	CE; cURus
A17T23SWBM00	Ball	230 V a.c.	50/60	0.270/0.250	45/45	383/434	123/126	58.0/61.0	2,750/3,150	CE; cURus

Buy Online

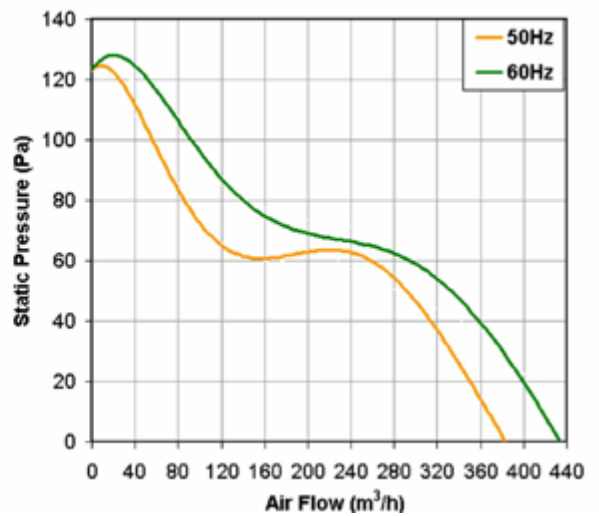
Frame Fans

"A17TMT" SERIES COSTECH FANS

Description: Axial fan a.c. 172X150x55mm



Casing material:	Black varnished aluminum
Impeller material:	Metal
Protection degree:	IP44, according to EN 60529 standard
Fixing system:	by 2x No. 4 Ø4.3mm holes
Insulation class:	F
Motor protection:	thermal
Storage temperature:	from -40°C to +90°C
Rated temperature range:	from -40°C to +90°C
Lifetime L10 at 40°C:	40,000 h
Electrical connection:	2 leads 22AWG UL 3239, 350 mm long
Approvals:	UL E223195
Weight:	1.1 kg

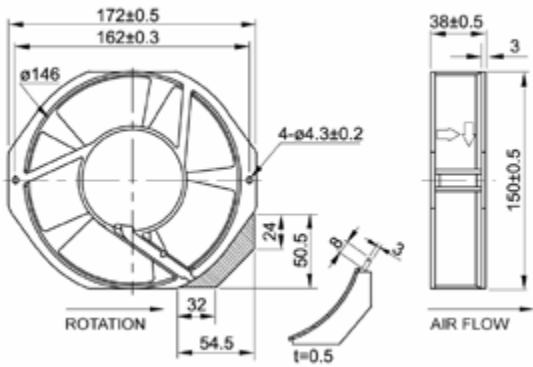


Model	Bearing	Voltage (V)	Frequency (Hz)	Rated Current (A)	Rated Power (W)	Max Air Flow** (m3/h)	Static Pressure (Pa)	Noise [db(A)]	RPM (rpm)	Approvals
A17T12SWBMT0	Ball	115 V a.c.	50/60	0.54/0.51	45/45	383/434	124/124	58.0/61.0	2,750/3,150	CE; cURus
A17T23SWBMT0	Ball	230 V a.c.	50/60	0.270/0.250	45/45	383/434	124/124	58.0/61.0	2,750/3,150	CE; cURus

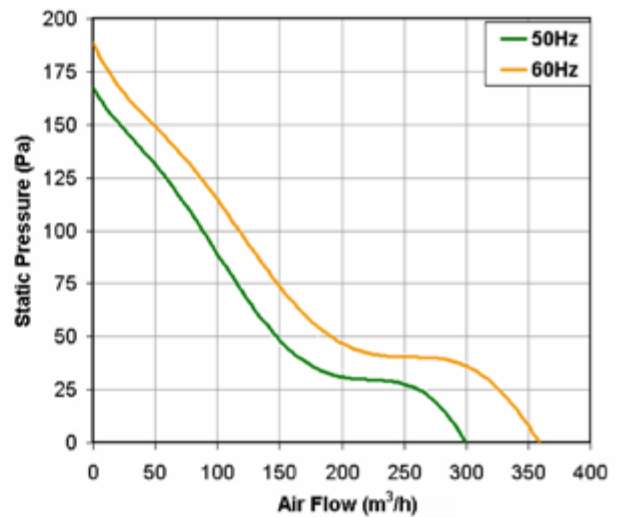
Frame Fans

C17BF SERIES

Description: Axial fan a.c. 172X150x38mm



Casing material:	Black wurnished aluminum
Impeller material	Black fibreglass reinforced plastic (PBT PC) UL 94V-0
Protection degree:	IP20, according to EN 60529 standard
Fixing system:	by No 4 M4 screws
Motor protection:	thermal
Storage temperature:	from -40°C to +80°C
Rated temperature range:	from -40°C to +70°C
Lifetime L10 at 40°C:	40,000 h
Electrical connection:	flat terminals 110 series (2.8x0.5 mm)
Approvals:	UL E223195
Weight:	0,72 kg

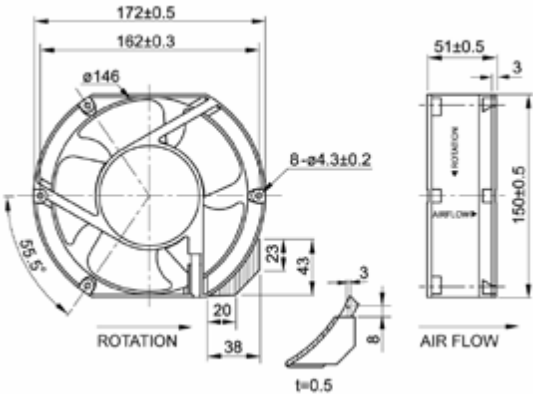


Model	Bearing	Voltage (V)	Frequency (Hz)	Rated Current (A)	Rated Power (W)	Max Air Flow** (m3/h)	Static Pressure (Pa)	Noise [db(A)]	RPM (rpm)	Approvals
C17B12HTBF00	Ball	115 V a.c.	50/60	0.250/0.230	29/28	300/360	167/187	54.0/58.0	2,850/3,400	CE; cURus
C17B23HTBF00	Ball	230 V a.c.	50/60	0.110/0.110	27/26	300/360	167/187	54.0/58.0	2,850/3,400	CE; cURus

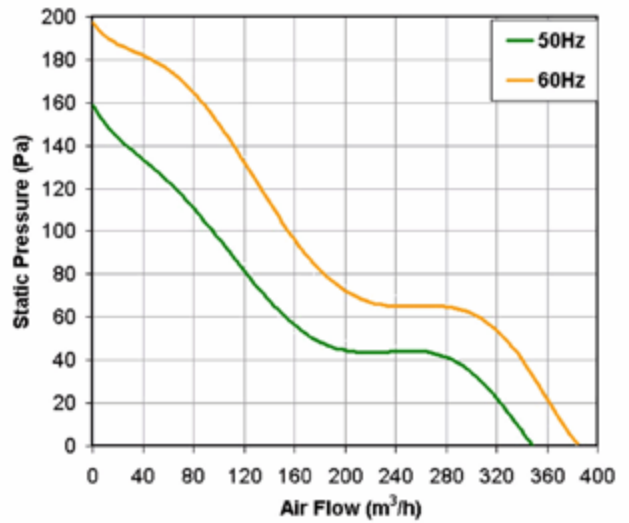
Frame Fans

C17CF SERIES

Description: Axial fan a.c. 172X150x51mm



- Casing material:** Black warrnished aluminum
- Impeller material:** Black fibreglass reinforced plastic (PBT PC) UL 94V-0
- Protection degree:** IP20, according to EN 60529 standard
- Fixing system:** by No 4 M4 screws
- Motor protection:** thermal
- Storage temperature:** from -40°C to +80°C
- Rated temperature range:** from -40°C to +70°C
- Lifetime L10 at 40°C:** 40,000 h
- Electrical connection:** flat terminals 110 series (2.8x0.5 mm)
- Approvals:** UL E223195
- Weight:** 0.8 kg

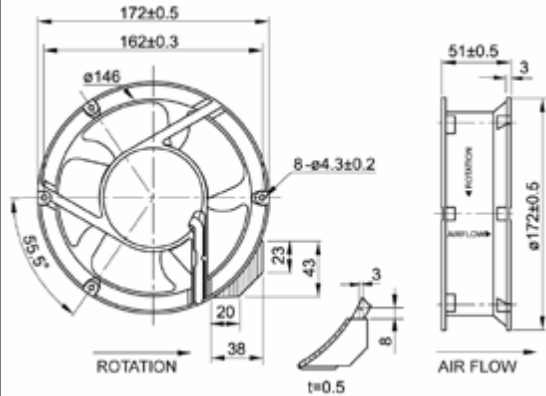


Model	Bearing	Voltage (V)	Frequency (Hz)	Rated Current (A)	Rated Power (W)	Max Air Flow** (m3/h)	Static Pressure (Pa)	Noise [db(A)]	RPM (rpm)	Approvals
C17C12HTBF00	Ball	115 V a.c.	50/60	0.260/0.250	31/31	348/384	157/197	53.0/58.0	2,850/3,400	CE; cURus
C17C23HTBF00	Ball	230 V a.c.	50/60	0.120/0.120	29/29	348/384	157/197	53.0/58.0	2,850/3,400	CE; cURus

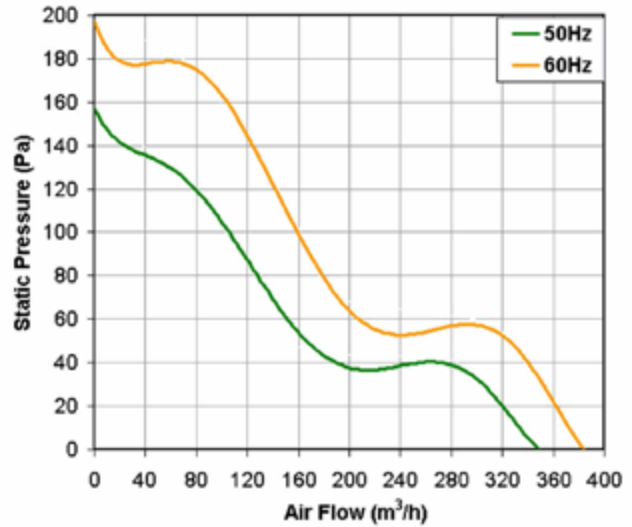
Frame Fans

C18CF SERIES

Description: Axial fan a.c. 172X172x51mm



Casing material:	Black varnished aluminum
Impeller material	Black fibreglass reinforced plastic (PBT PC) UL 94V-0
Protection degree:	IP20, according to EN 60529 standard
Fixing system:	by No 4 M4 screws
Motor protection:	thermal
Storage temperature:	from -40°C to +80°C
Rated temperature range:	from -40°C to +70°C
Lifetime L10 at 40°C:	40,000 h
Electrical connection:	flat terminals 110 series (2.8x0.5 mm)
Approvals:	UL E223195
Weight:	0.82 kg

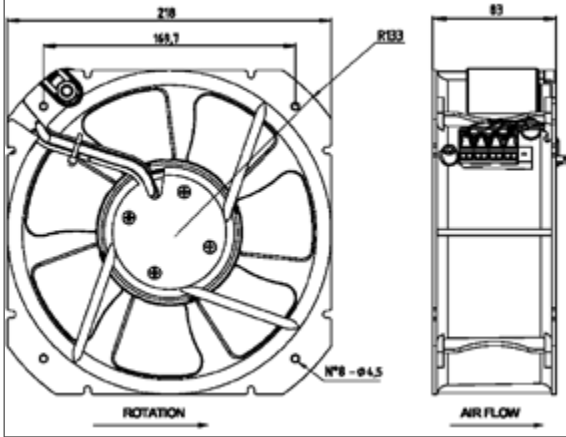


Model	Bearing	Voltage (V)	Frequency (Hz)	Rated Current (A)	Rated Power (W)	Max Air Flow** (m3/h)	Static Pressure (Pa)	Noise [db(A)]	RPM (rpm)	Approvals
C18C12HTBF00	Ball	115 V a.c.	50/60	0.260/0.250	30/30	348/384	157/197	50.0/55.0	2,850/3,400	CE; cURus
C18C23HTBF00	Ball	230 V a.c.	50/60	0.120/0.120	29/29	348/384	157/197	50.0/55.0	2,850/3,400	CE; cURus

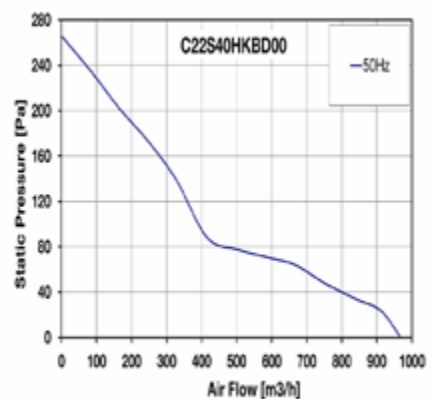
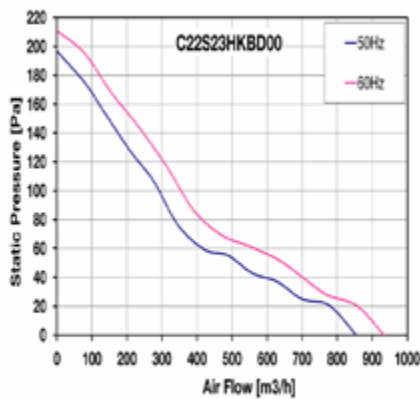
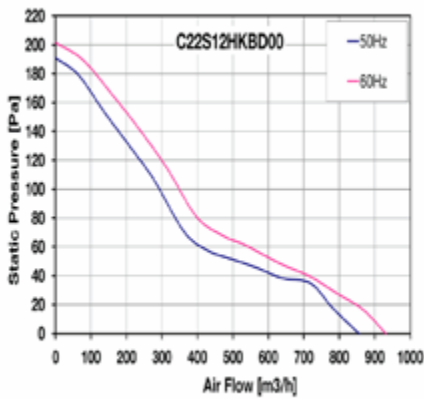
Frame Fans

C22SD SERIES

Description: Axial fan a.c. 218X218X83mm



Impeller material: fibre reinforced plastic (PA66) blades
Casing material: aluminium alloy die casting UNI5076
Fixing system: No 4 holes Ø4.5
Motor protection: thermal
Rated temperature range: from -20°C to +70°C
Motor Lifetime L10 at 25°C (approx.): 63,000 h
Insulation class: F
Working class of capacitor: class B for 115V model
 class A for 230V model
Electrical connection: by screwless terminal block 2.5 mm² (20 - 14 AWG): 3 poles L-N-PE for 115/230Va.c. models; 4 poles L1-L2-L3-PE for 400 Va.c. models
Weight: 1,9 kg

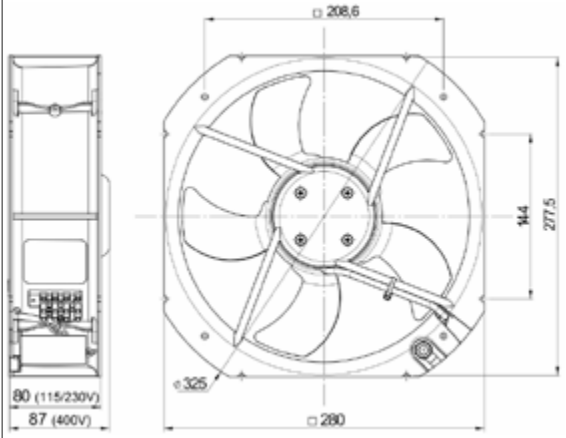


Model	Bearing	Voltage	Frequency	Rated Current	Rated Power	Max Air Flow**	Static Pressure	Noise	RPM	Approvals
		(V)	(Hz)	(A)	(W)	(m3/h)	(Pa)	[db(A)]	(rpm)	
C22S12HKBD00	Ball	115 V a.c.	50/60	0.79/0.83	79/96	855/930	190/201	64.6/67.4	2,490/2,760	CE
C22S23HKBD00	Ball	230 V a.c.	50/60	0.343/0.411	78/94	855/930	197/211	65.0/68.0	2,490/2,750	CE
C22S40HKBD00	Ball	400 V 3 ~	50	0.280	174	970	265	61.0	2,770	CE

Frame Fans

C25SE SERIES

Description: Axial fan a.c. 280X280X80mm



Fan material:

casing of aluminium alloy die casting and

Casing material:

black painted steel
aluminium UNI5076

Fixing system:

No 4 holes Ø5.4

Motor protection:

thermally

Rated temperature range:

from -20°C to +70°C

Motor Lifetime L10 at 25°C (approx.):

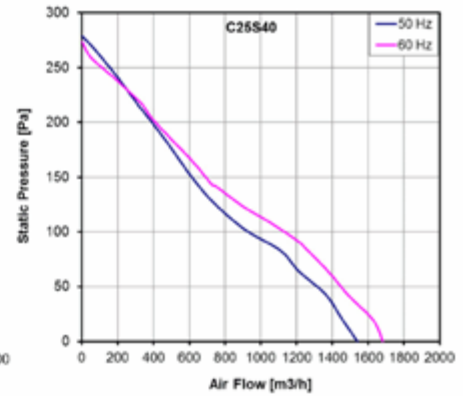
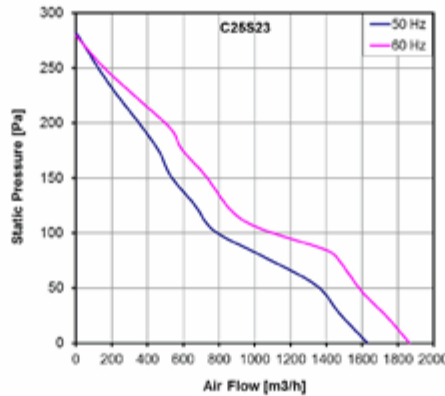
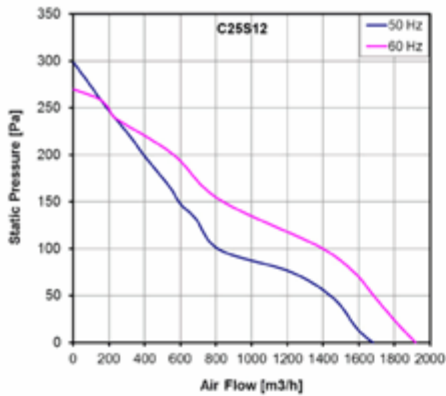
da 53,000 a 80,000 h

Electrical connection:

by terminal block 3 pins (L-N-PE)

Weight:

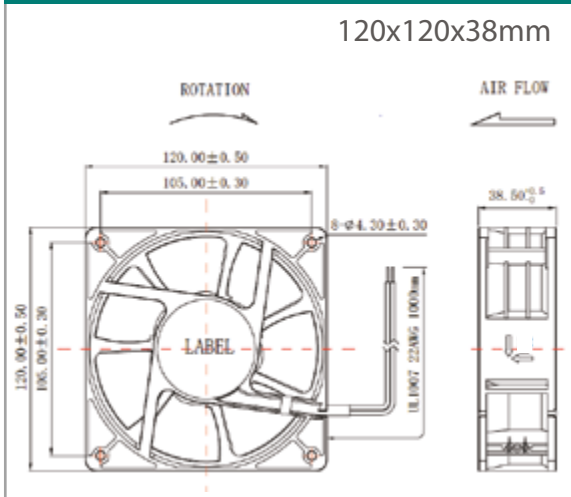
2,800 kg



Model	Bearing	Voltage	Frequency	Rated Current	Rated Power	Max Air Flow**	Static Pressure	Noise	RPM	Approvals
		(V)	(Hz)	(A)	(W)	(m3/h)	(Pa)	[db(A)]	(rpm)	
C25S12HKBE00	Ball	115 V a.c.	50/60	1.1/0.6	107/138	1,680/1,920	299/270	64.6/67.4	2,730/3,170	CE
C25S23HKBE00	Ball	230 V a.c.	50/60	0.50/0.28	101/127	1,630/1,865	280/280	67.0/70.0	2,735/3,150	CE
C25S40HKBE00	Ball	400 V 3 ~	50/60	0.19/0.21	86/117	1,540/1,680	280/275	67.0/69.0	2,635/2,840	CE

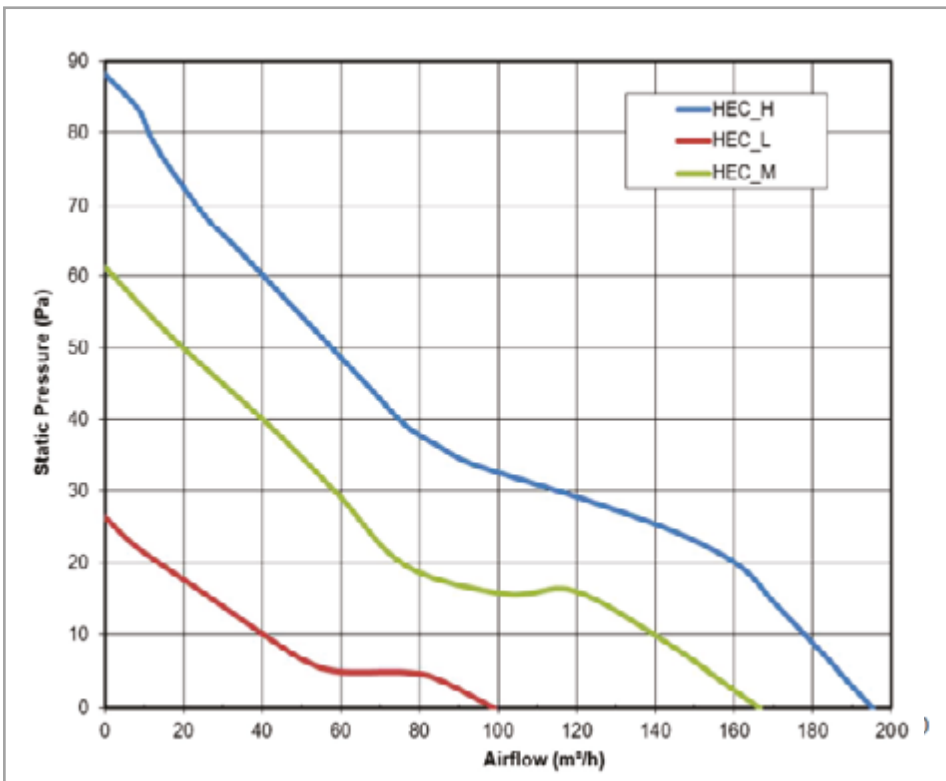
Frame Fans

HEC1238_A SERIES



- Casing Material:** Thermoplastic UL 94V-0/Black
- Impeller Material:** Thermoplastic UL 94V-0/Black
- Motor Protection:** Locked Rotor Protected
- Rotation:** Clockwise (from label side)
- Storage Temperature:** -40°C to +70°C
- Operating Temperature:** -30°C to +70°C
- Lifetime (L10 at 40°C):** 70,000hrs
- Electrical Connection:** 2x Lead Wires
- Bearings:** 2x Ball Bearings
- Safety Approvals:** CE, ATEX

 II 3G Ex ec IIC Gc



INGRESS PROTECTION 68



ATEX CERTIFICATED



ELECTRONICALLY COMMUTATED

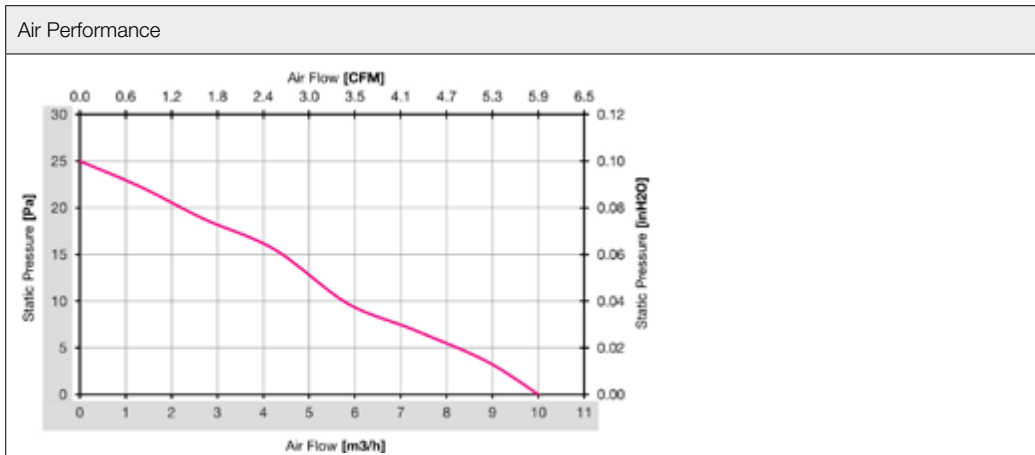
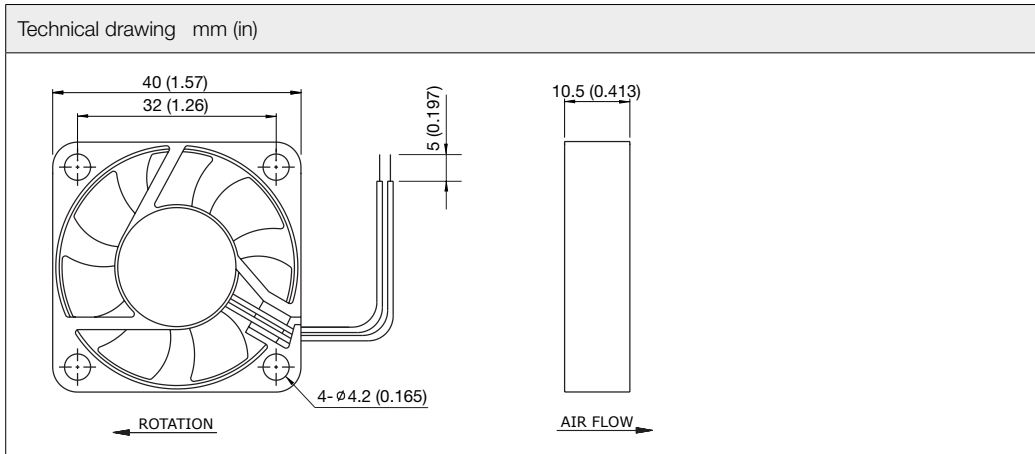
Model	Voltage (V)	Voltage Range (V)	Speed (rpm)	Rated Current (A)	Rated Power (Wa)	Max. Air Flow (m³/h)	Max Pressure (Pa)	Noise (dB(A))
HEC1238HA	115/230	85-265	3000	0.16	5.8	196	88	45
HEC1238MA	115/230	85-265	2600	0.1	4.5	166	61	39
HEC1238LA	115/230	85-265	1700	0.06	2	99	26	25

Buy Online

Frame Fans

D04E05HWHT00

DC axial fans



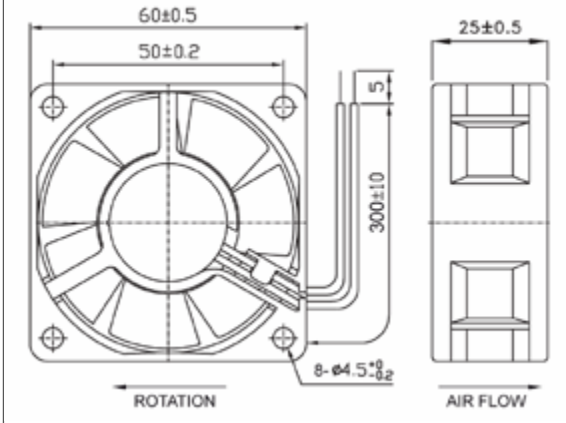
Technical data		
Life Expectancy	50000	h at 25 °C
	50000	h at 77 °F
Fan Noise	30.5	dB(A)
Cable Length	300	mm
	11.81	in
Fixing System	Screws	
ENVIRONMENTAL AND THERMAL DATA		
IP Protection Degree	IP20	
Operating Temperature	-10÷70	°C
	14÷158	°F
Storage Temperature	-40÷70	°C
	-40÷158	°F
UL DATA		
UL File Number Recognized Component	E223195	

Buy Online

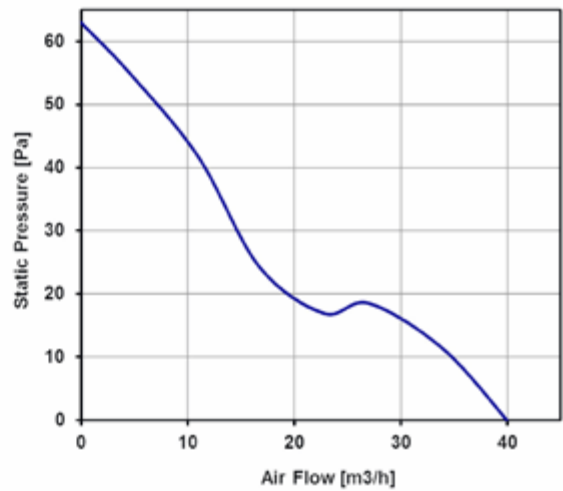
Frame Fans

"D06A04HWSA00" COSTECH FAN

Description: d.c. axial fan 60x60x25 mm



- Casing material:** Black fibreglass reinforced plastic (PBT) UL 94V-0
- Impeller material:** Black fibreglass reinforced plastic (PBT) UL 94V-0
- Protection degree:** IP20, according to EN 60529 standard
- Fixing system:** by 2x 4 holes Ø4,5mm
- Storage temperature:** from -40°C to +70°C
- Operating temperature:** from -10°C to +70°C
- Lifetime L10 at 40°C:** 40,000 h
- Electrical connection:** 2 leads 24AWG UL 1007, 300 mm long
- Weight:** 62g
- Motor protection:** by IC
- Polarity protection:** no



Model	Bearing	Voltage	Rated Current	Rated Power	Max Air Flow	Static Pressure	Noise	RPM	Approvals
		(V)	(A)	(W)	(m3/h)	(Pa)	[db(A)]	(rpm)	
D06A04HWSA00	Hypro	12 V d.c.	0.230	2.76	40	63	33.1	4,500	CE; cURus

data with uncertainty of 10%

Frame Fans

D06A05HWBA00

DC axial fans



Axial fans provide forced-air cooling solution to temperature-sensitive applications. Compact fans with AC shaded pole or capacitor and DC brushless motor are designed for ventilation and spot cooling of internal machinery components, especially in areas in confined spaces. Available also versions tested to withstand harsh environmental conditions (IP55, IP68, all metal and HTR fans).

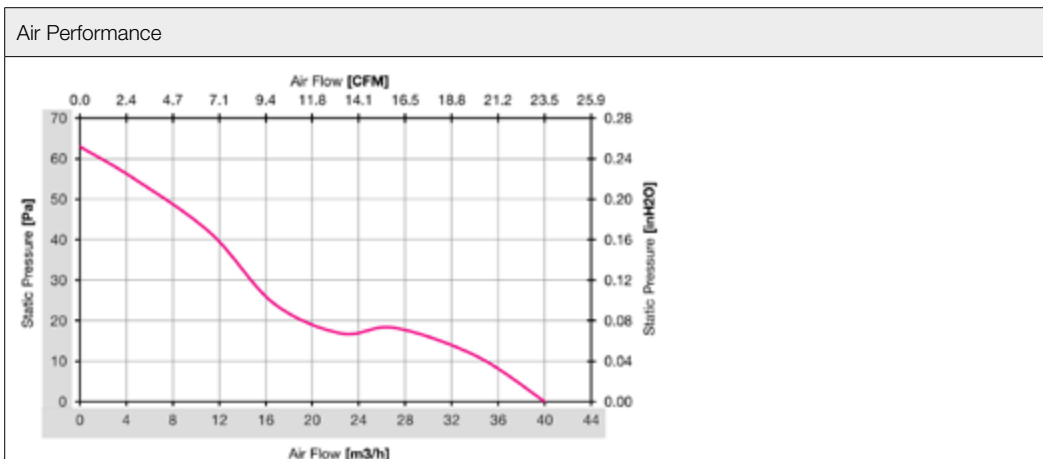
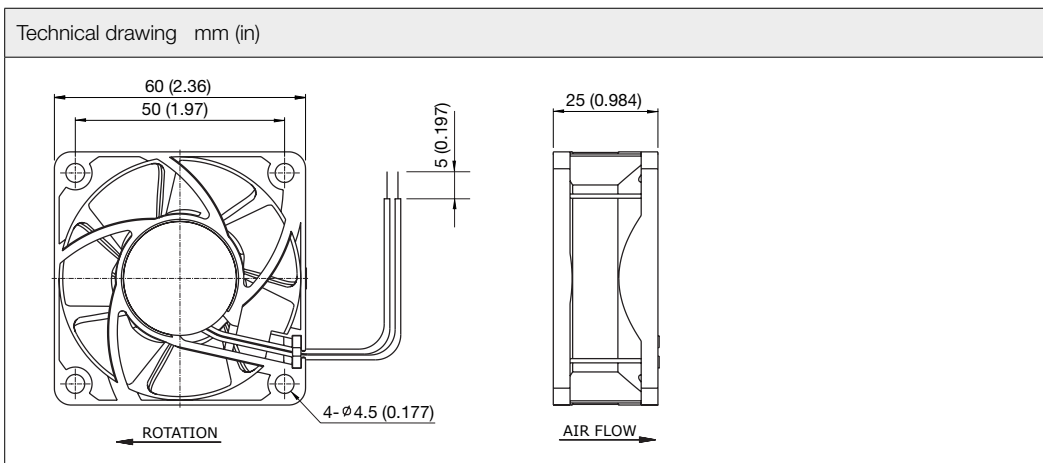
Technical data		
APPROVALS		
Approvals	CE; cURus	
PERFORMANCE		
Max Airflow	40	m ³ /h
	24	CFM
Max Static Pressure	63	Pa
	0.25	in H ₂ O
RPM	4500	RPM
ELECTRICAL DATA		
Rated Voltage	24	V d.c.
Rated Current	0.12	A
Rated Power	2.88	W
Operating Voltage	21.6-26.4	V d.c.
Starting Voltage	17	V d.c.
Insulation Class	A	
Motor Protection	Electronically Protected	
MECHANICAL DATA		
Bearing	Ball Bearing	
GENERIC DATA		
Casing Material	Plastic UL94-V0	
Airflow Direction	Air exhaust over brackets	
Electrical Connection	Wires	

Buy Online

Frame Fans

D06A05HWBA00 | DC axial fans

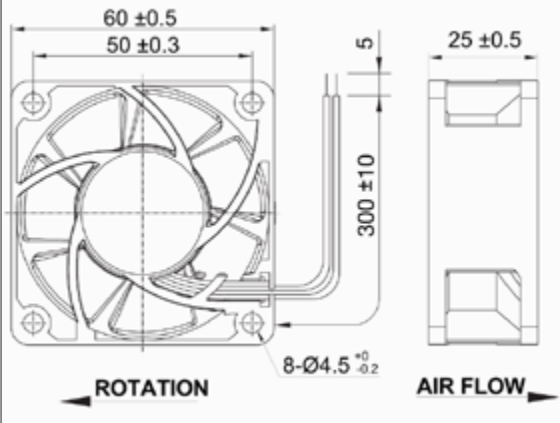
Technical data		
Life Expectancy	70000	h at 40 °C
	70000	h at 104 °F
Fan Noise	33.1	dB(A)
Cable Length	300	mm
	11.81	in
Fixing System	Screws	
ENVIRONMENTAL AND THERMAL DATA		
IP Protection Degree	IP20	
Operating Temperature	-10÷70	°C
	14÷158	°F
Storage Temperature	-40÷70	°C
	-40÷158	°F
UL DATA		
UL File Number Recognized Component	E223195	



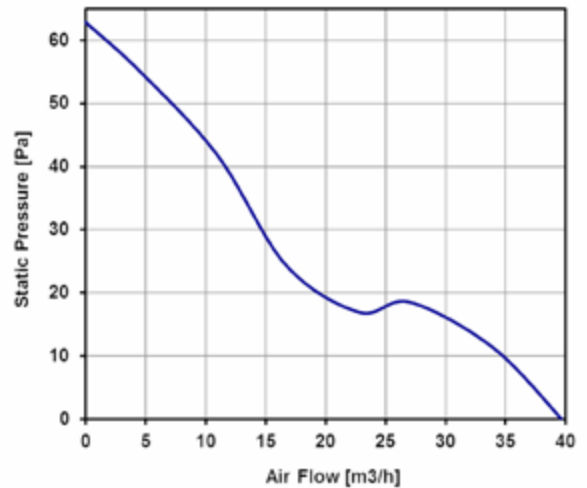
Frame Fans

"D06A05HWA00" COSTECH FAN

Description: d.c. axial fan 60x60x25 mm



Casing material:	Black fibreglass reinforced plastic (PBT) UL 94V-0
Impeller material:	Black fibreglass reinforced plastic (PBT) UL 94V-0
Protection degree:	IP20, according to EN 60529 standard
Fixing system:	by 2x 4 holes Ø4,5mm
Storage temperature:	from -40°C to +70°C
Rated temperature range:	from -10°C to +70°C
Lifetime L10 at 40°C:	40,000 h
Electrical connection:	2 leads 24AWG UL 1007, 300 mm long
Weight:	62g
Motor protection:	by IC
Polarity protection	no



Model	Bearing	Voltage	Rated Current	Rated Power	Max Air Flow	Static Pressure	Noise	RPM	Approvals
		(V)	(A)	(W)	(m3/h)	(Pa)	[db(A)]	(rpm)	
D06A05HWA00	Hypro	24 V d.c.	0.12	2.88	40	63	33.1	4,500	CE; cURus

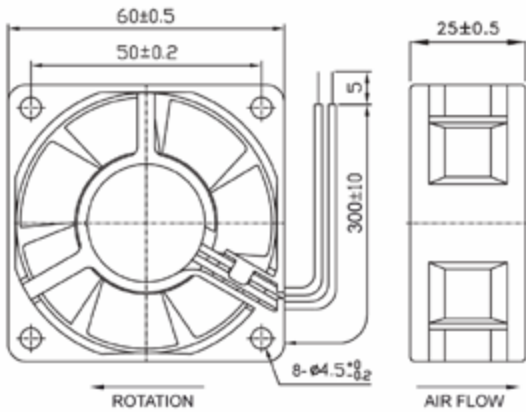
data with uncertainty of 10%

Buy Online

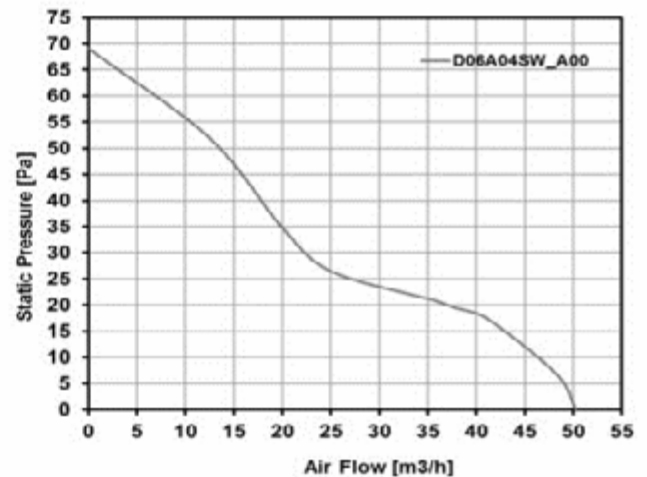
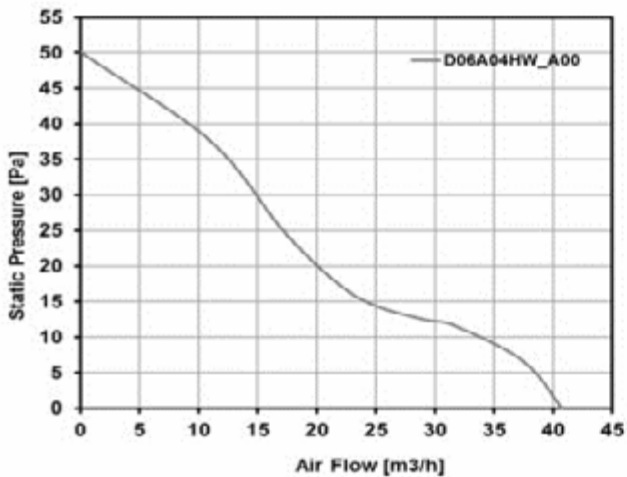
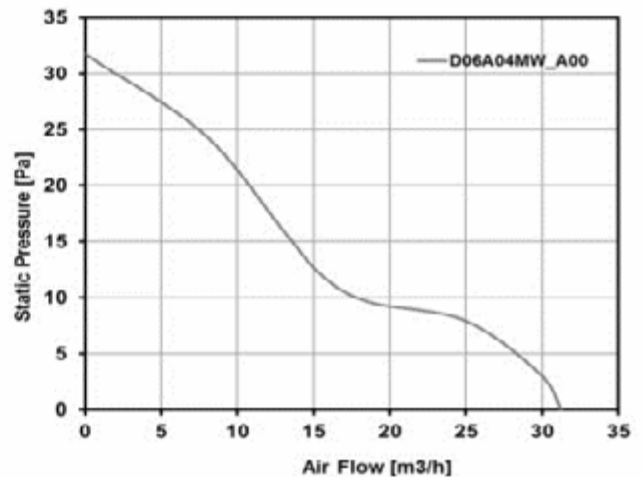
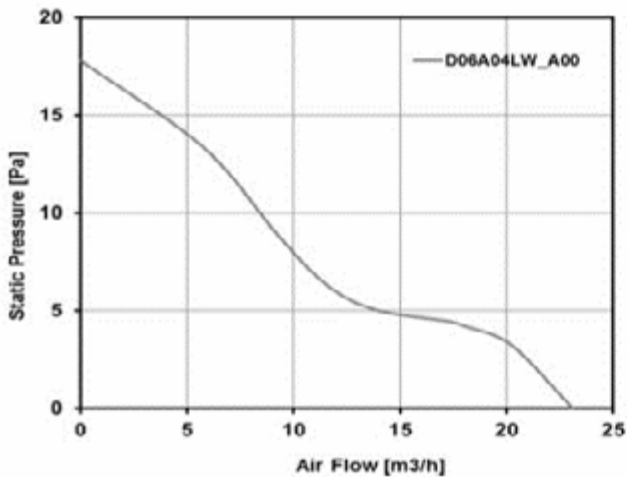
Frame Fans

"D06AA" SERIES COSTECH FANS

Description: c.c. axial fan 60x60x25 mm



Casing material:	Black fibreglass reinforced plastic (PBT) UL 94V-0
Impeller material:	Black fibreglass reinforced plastic (PBT) UL 94V-0
Protection degree:	IP20, according to EN 60529 standard
Fixing system:	by No. 4 M4 screws
Storage temperature:	from -40°C to $+70^{\circ}\text{C}$
Rated temperature range:	from -10°C to $+70^{\circ}\text{C}$
Lifetime L10 at 40°C:	Sleeve 22,000 h ; Ball 70,000 h
Electrical connection:	2 leads 24AWG UL 1007, 300 mm long
Weight:	68 g



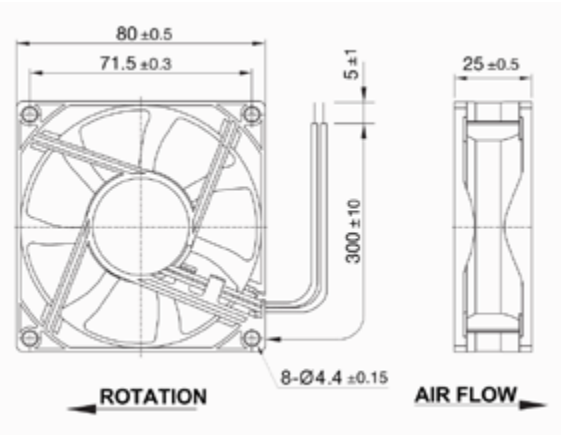
Frame Fans

Model	Bearing	Voltage	Rated Current	Rated Power	Max Air Flow**	Static Pressure	Noise	RPM	Approvals
		(V)	(A)	(W)	(m3/h)	(Pa)	[db(A)]	(rpm)	
D06A04HWBA00	Ball	12 V d.c.	0.230	2.8	42	50	36.8	4,600	CE; cURus
D06A04HWSA00	Sleeve	12 V d.c.	0.230	2.8	42	50	35.2	4,500	CE; cURus
D06A04LWBA00	Ball	12 V d.c.	0.080	0.96	23	18	20.6	2,700	CE; cURus
D06A04LWSA00	Sleeve	12 V d.c.	0.080	0.96	22	16	18.1	2,500	CE; UR
D06A04MWBA00	Ball	12 V d.c.	0.140	1.7	32	32	29.8	3,600	CE; UR
D06A04MWSA00	Sleeve	12 V d.c.	0.140	1.7	31	30	28.6	3,500	CE; UR
D06A04SWBA00	Ball	12 V d.c.	0.270	3.2	50	67	40.5	5,300	CE; cURus
D06A04SWSA00	Sleeve	12 V d.c.	0.350	4.2	46	57	40.0	5,000	CE; cURus
D06A05HWBA00	Ball	24 V d.c.	0.150	3.6	42	50	35.2	4,500	CE; cURus
D06A05HWSA00	Sleeve	24 V d.c.	0.150	3.6	42	50	35.2	4,500	CE; cURus
D06A05LWBA00	Ball	24 V d.c.	0.080	1.9	22	16	18.1	2,500	CE; UR
D06A05LWSA00	Sleeve	24 V d.c.	0.080	1.9	22	16	18.1	2,500	CE; UR
D06A05MWBA00	Ball	24 V d.c.	0.080	1.9	31	30	28.6	3,500	CE; UR
D06A05MWSA00	Sleeve	24 V d.c.	0.080	1.9	31	30	28.6	3,500	CE; UR
D06A05SWBA00	Ball	24 V d.c.	0.160	3.8	47	60	37.6	5,000	CE; cURus
D06A05SWSA00	Sleeve	24 V d.c.	0.160	3.8	47	60	37.6	5,000	CE; cURus

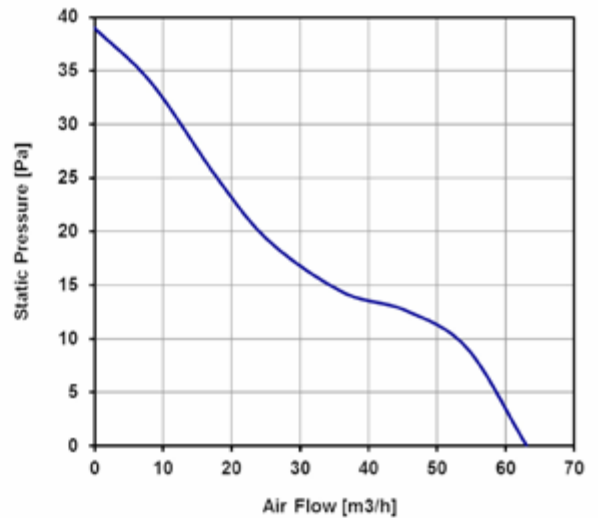
Frame Fans

"D08A04HWBAF0" COSTECH FAN IP68

Description: d.c. axial fan 80x80x25 mm



- Casing material:** Black fibreglass reinforced plastic (PBT) UL 94V-0
- Impeller material:** Black fibreglass reinforced plastic (PBT) UL 94V-0
- Protection degree:** IP68, according to EN 60529 standard
- Fixing system:** by 2x4 holes Ø4.4 mm
- Motor protection:** by IC
- Electrical connection:** 2 lead wires 24AWG UL 1430, length 300 mm
- Polarity protection:** yes
- Storage temperature:** from -40°C to +70 °C
- Rated temperature range:** from -10°C to +70 °C
- Lifetime L10 at 40°C:** 70,000 h
- Weight:** 72 g
- Approvals:** CE, UL E223195



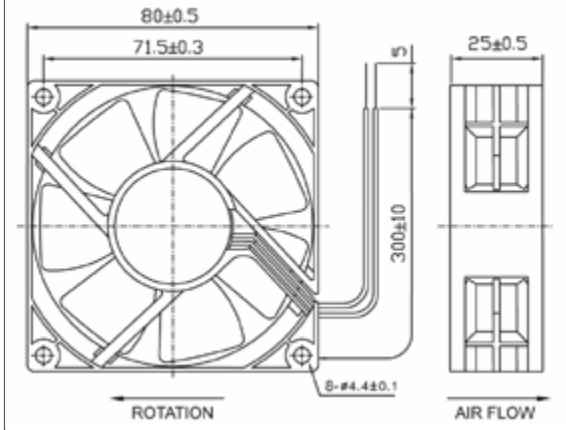
Model	Bearing	Voltage	Rated Current	Rated Power	Max Air Flow	Static Pressure	Noise	RPM	Approvals
		(V)	(A)	(W)	(m3/h)	(Pa)	[db(A)]	(rpm)	
D08A04HWBAF0	Ball	12 V d.c.	0.18	2.16	63	39	35.8	3,000	CE; cURus

data with uncertainty of 10%

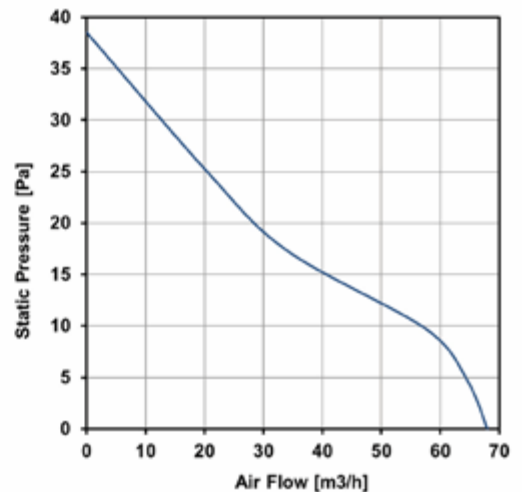
Frame Fans

COSTECH FAN

Description: d.c. axial fan 80x80x25 mm



Casing material:	Black fibreglass reinforced plastic (PBT) UL 94V-0
Impeller material	Black fibreglass reinforced plastic (PBT) UL 94V-0
Protection degree:	IP20, according to EN 60529 standard
Fixing system:	by 2x4 holes $\varnothing 4.4$ mm
Motor protection:	by IC
Storage temperature:	from -40°C to $+70^{\circ}\text{C}$
Rated temperature range:	from -10°C to $+70^{\circ}\text{C}$
Lifetime L10 at 40°C:	70,000 h
Electrical connection:	2 lead wires 24AWG UL 1007, length 300mm
Approvals:	UL E223195
Weight:	86g



Model	Bearing	Voltage	Rated Current	Rated Power	Max Air Flow	Static Pressure	Noise	RPM	Approvals
		(V)	(A)	(W)	(m3/h)	(Pa)	[db(A)]	(rpm)	
D08A05HWBA00	Ball	24 V d.c.	0.160	3.84	68	38	33.4	3,000	CE; UR

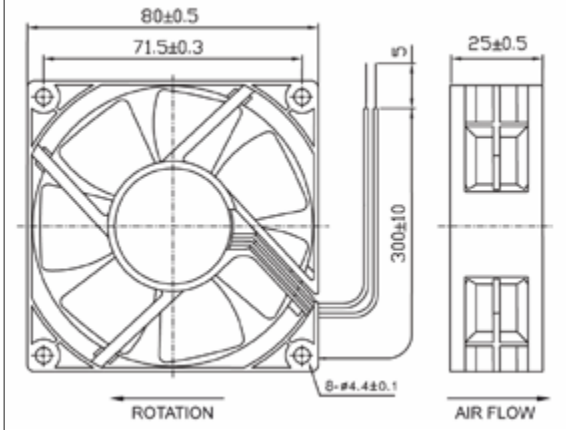
data with uncertainty of 10%

Buy Online

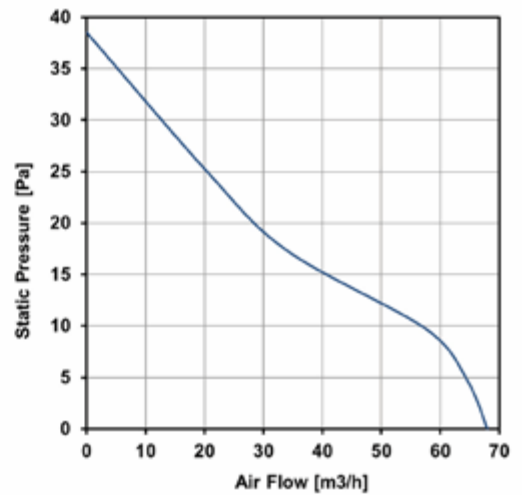
Frame Fans

COSTECH FAN

Description: d.c. axial fan 80x80x25 mm



Casing material:	Black fibreglass reinforced plastic (PBT) UL 94V-0
Impeller material	Black fibreglass reinforced plastic (PBT) UL 94V-0
Protection degree:	IP20, according to EN 60529 standard
Fixing system:	by 2x4 holes Ø4.4mm
Motor protection:	by IC
Storage temperature:	from -40°C to +70°C
Rated temperature range:	from -10°C to +70°C
Lifetime L10 at 40°C:	30,000 h
Electrical connection:	2 lead wires 24AWG UL 1007, length 300mm
Approvals:	UL E223195
Weight:	86g



Model	Bearing	Voltage	Rated Current	Rated Power	Max Air Flow	Static Pressure	Noise	RPM	Approvals
		(V)	(A)	(W)	(m3/h)	(Pa)	[db(A)]	(rpm)	
D08A05HWSA00	Sleeve	24 V d.c.	0.160	3.84	68	38	33.4	3,000	CE; UR

data with uncertainty of 10%

Frame Fans

D12A05HWBZ00

DC axial fans



Axial fans provide forced-air cooling solution to temperature-sensitive applications. Compact fans with AC shaded pole or capacitor and DC brushless motor are designed for ventilation and spot cooling of internal machinery components, especially in areas in confined spaces. Available also versions tested to withstand harsh environmental conditions (IP55, IP68, all metal and HTR fans).

Technical data		
APPROVALS		
Approvals	CE; cURus	
PERFORMANCE		
Max Airflow	134	m ³ /h
	79	CFM
Max Static Pressure	35	Pa
	0.14	in H ₂ O
RPM	2200	RPM
ELECTRICAL DATA		
Rated Voltage	24	V d.c.
Rated Current	0.19	A
Rated Power	4.56	W
Operating Voltage	21.6-24.6	V d.c.
Starting Voltage	17	V d.c.
Insulation Class	A	
Motor Protection	Electronically Protected	
MECHANICAL DATA		
Bearing	Ball Bearing	
GENERIC DATA		
Casing Material	Plastic UL94-V0	
Airflow Direction	Air intake over brackets	
Electrical Connection	Wires	

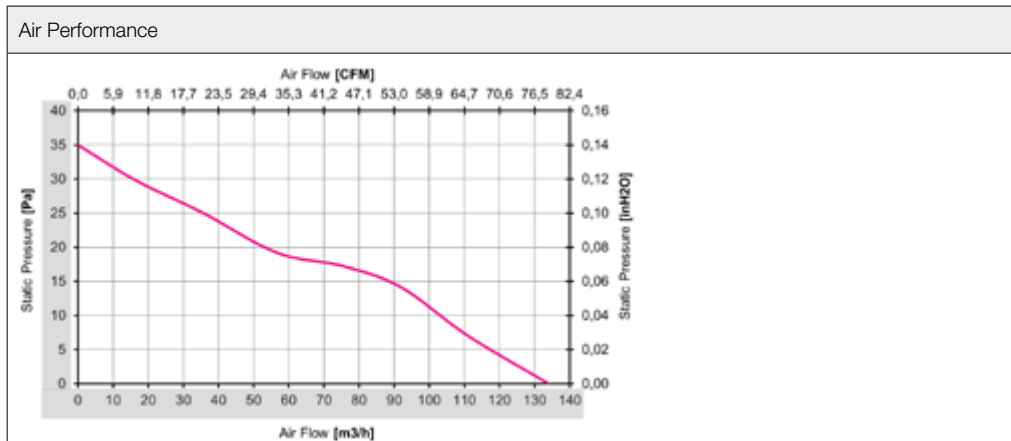
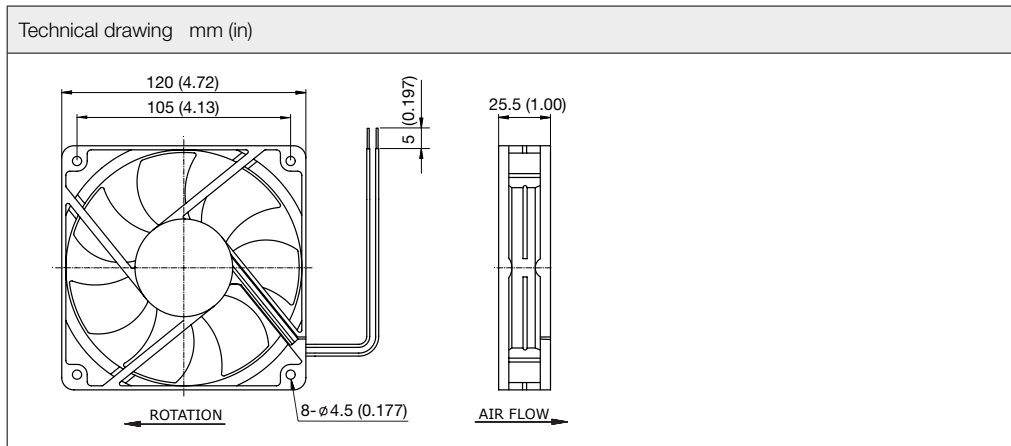
Buy Online

Frame Fans

D12A05HWBZ00

DC axial fans

Technical data		
Life Expectancy	70000	h at 40 °C
	70000	h at 104 °F
Fan Noise	39.3	dB(A)
Cable Length	300	mm
	11.81	in
Fixing System	Screws	
ENVIRONMENTAL AND THERMAL DATA		
IP Protection Degree	IP20	
Operating Temperature	-10÷70	°C
	14÷158	°F
Storage Temperature	-40÷70	°C
	-40÷158	°F
UL DATA		
UL File Number Recognized Component	E223195	



Frame Fans

D12B04HWBZ00

DC axial fans



Axial fans provide forced-air cooling solution to temperature-sensitive applications. Compact fans with AC shaded pole or capacitor and DC brushless motor are designed for ventilation and spot cooling of internal machinery components, especially in areas in confined spaces. Available also versions tested to withstand harsh environmental conditions (IP55, IP68, all metal and HTR fans).

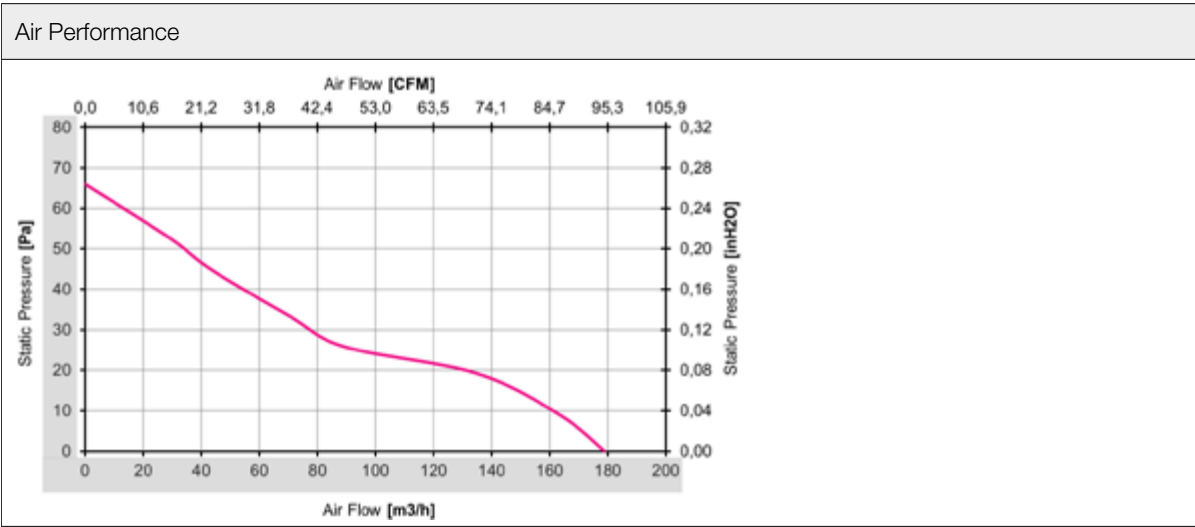
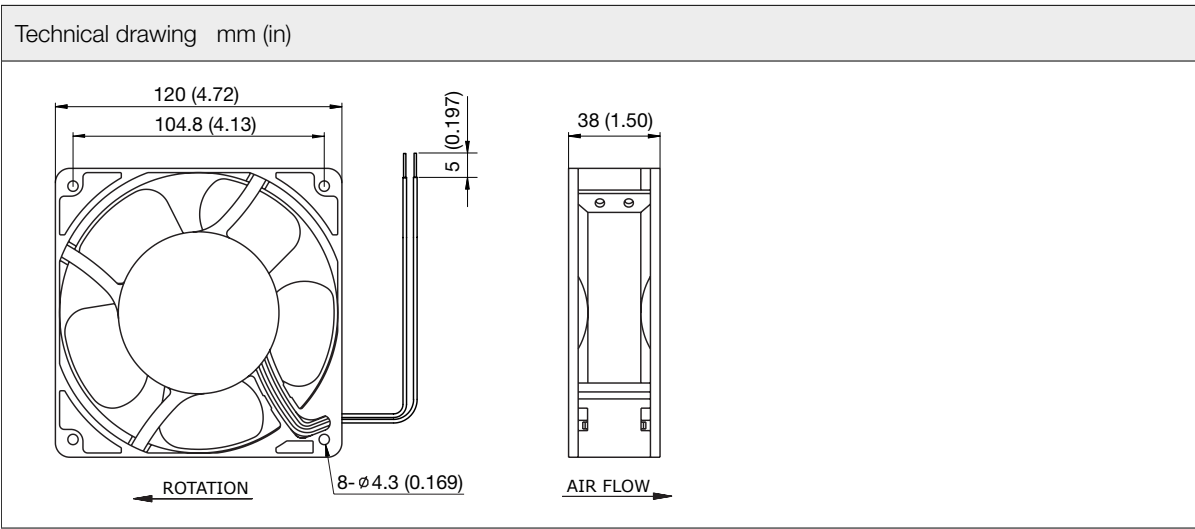
Technical data		
APPROVALS		
Approvals	CE; UR	
PERFORMANCE		
Max Airflow	179	m ³ /h
	105	CFM
Max Static Pressure	66	Pa
	0.26	in H ₂ O
RPM	2800	RPM
ELECTRICAL DATA		
Rated Voltage	12	V d.c.
Rated Current	0.5	A
Rated Power	6	W
Operating Voltage	10.8-13.2	V d.c.
Starting Voltage	7	V d.c.
Motor Protection	Electronically Protected	
MECHANICAL DATA		
Bearing	Ball Bearing	
GENERIC DATA		
Casing Material	Plastic UL94-V0	
Airflow Direction	Air intake over brackets	
Electrical Connection	Wires	

Buy Online

Frame Fans

D12B04HWBZ00 | DC axial fans

Technical data		
Life Expectancy	70000	h at 40 °C
	70000	h at 104 °F
Fan Noise	46.7	dB(A)
Fixing System	Screws	
UL DATA		
UL File Number Recognized Component	E223195	



Frame Fans

D12B05HWBZ00

DC axial fans



Axial fans provide forced-air cooling solution to temperature-sensitive applications. Compact fans with AC shaded pole or capacitor and DC brushless motor are designed for ventilation and spot cooling of internal machinery components, especially in areas in confined spaces. Available also versions tested to withstand harsh environmental conditions (IP55, IP68, all metal and HTR fans).

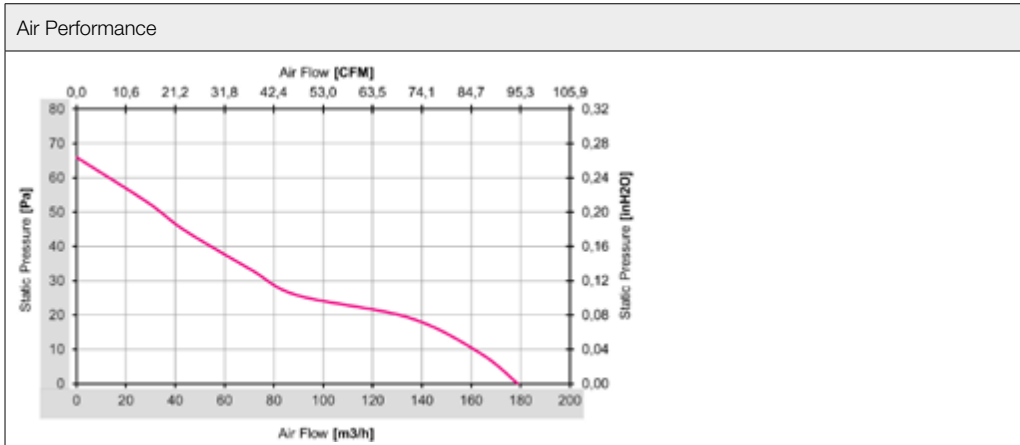
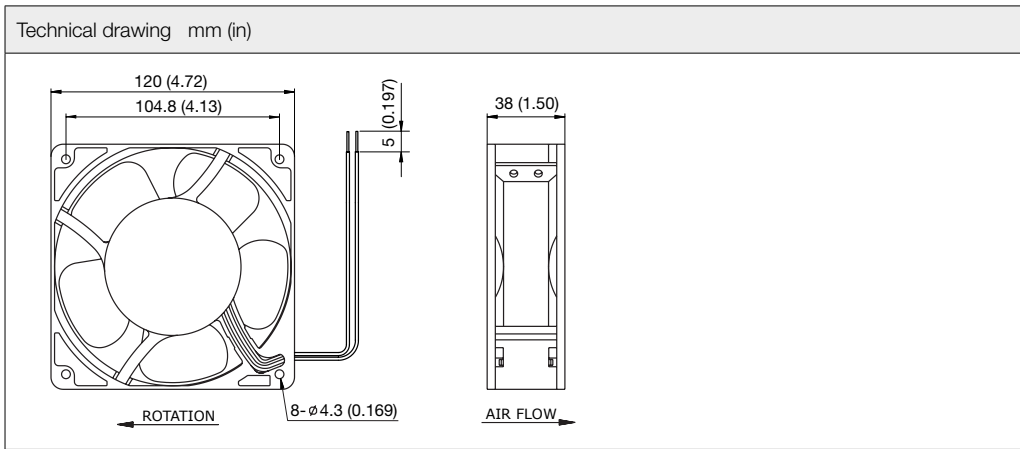
Technical data		
APPROVALS		
Approvals	CE; cURus	
PERFORMANCE		
Max Airflow	179	m ³ /h
	105	CFM
Max Static Pressure	66	Pa
	0.26	in H ₂ O
RPM	2800	RPM
ELECTRICAL DATA		
Rated Voltage	24	V d.c.
Rated Current	0.32	A
Rated Power	7.68	W
Operating Voltage	21.6-26.4	V d.c.
Starting Voltage	17	V d.c.
Insulation Class	A	
Motor Protection	Electronically Protected	
MECHANICAL DATA		
Bearing	Ball Bearing	
GENERIC DATA		
Casing Material	Plastic UL94-V0	
Airflow Direction	Air intake over brackets	
Electrical Connection	Wires	

Buy Online

Frame Fans

D12B05HWBZ00 | DC axial fans

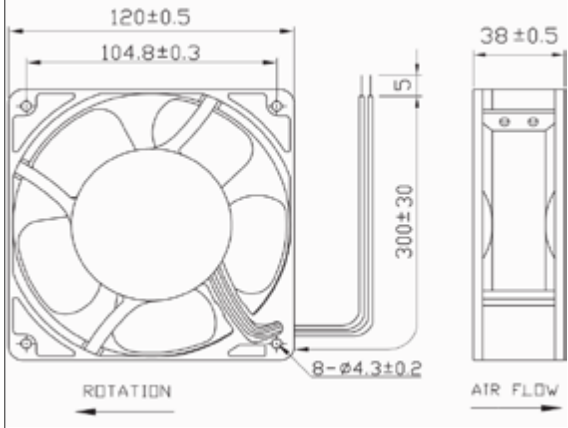
Technical data		
Life Expectancy	70000	h at 40 °C
	70000	h at 104 °F
Fan Noise	46.7	dB(A)
Cable Length	300	mm
	11.81	in
Fixing System	Screws	
ENVIRONMENTAL AND THERMAL DATA		
IP Protection Degree	IP20	
Operating Temperature	-10÷70	°C
	14÷158	°F
Storage Temperature	-40÷70	°C
	-40÷158	°F
UL DATA		
UL File Number Recognized Component	E223195	



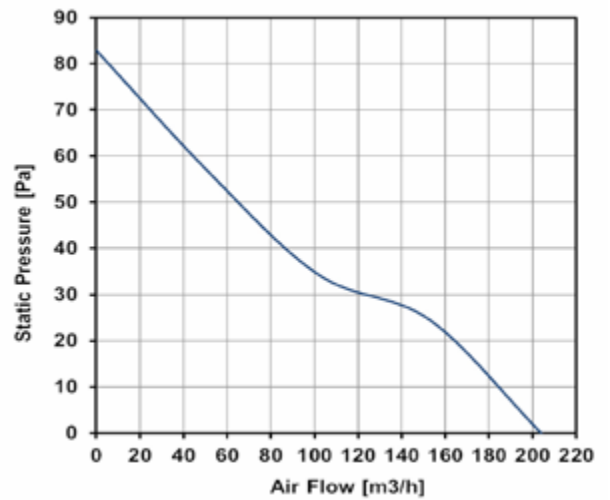
Frame Fans

"D12B05SWBZ00" SERIES COSTECH FANS

Description: d.c. axial fan 120x120x38mm



Casing material:	Black fibreglass reinforced plastic (PBT) UL 94V-0
Impeller material:	Black fibreglass reinforced plastic (PBT) UL 94V-0
Protection degree:	IP52, according to EN 60529 standard
Fixing system:	by 2x 4 holes Ø4,3mm
Motor protection:	by IC
Storage temperature:	from -40°C to +70°C
Rated temperature range:	from -10°C to +70°C
Lifetime L10 at 40°C:	70,000 h
Electrical connection:	2 leads 24AWG UL 1007, 300mm long
Weight:	235g
Polarity protection	yes



Model	Bearing	Voltage	Rated Current	Rated Power	Max Air Flow	Static Pressure	Noise	RPM	Approvals
		(V)	(A)	(W)	(m3/h)	(Pa)	[db(A)]	(rpm)	
D12B05SWBZ00	Ball	24 V d.c.	0.400	9.6	204	83	48.0	3,200	CE; cURus

Buy Online

Frame Fans

D12B07HWBA00

DC axial fans



Axial fans provide forced-air cooling solution to temperature-sensitive applications. Compact fans with AC shaded pole or capacitor and DC brushless motor are designed for ventilation and spot cooling of internal machinery components, especially in areas in confined spaces. Available also versions tested to withstand harsh environmental conditions (IP55, IP68, all metal and HTR fans).

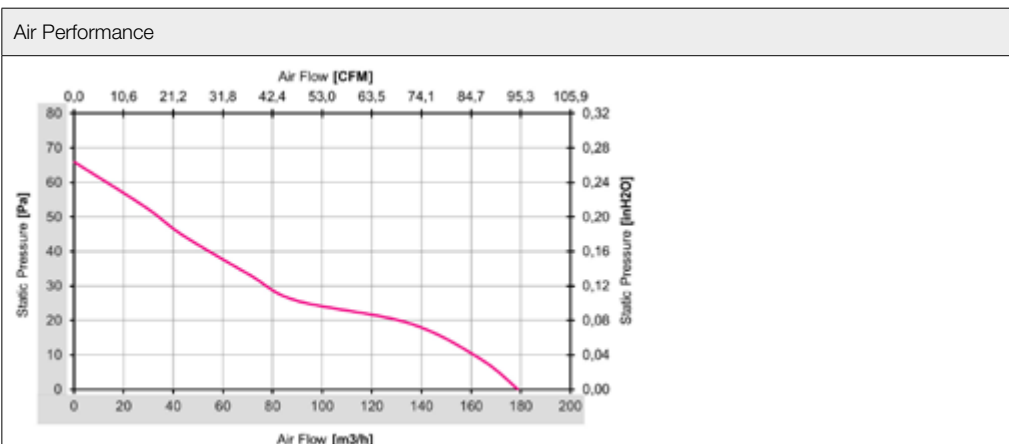
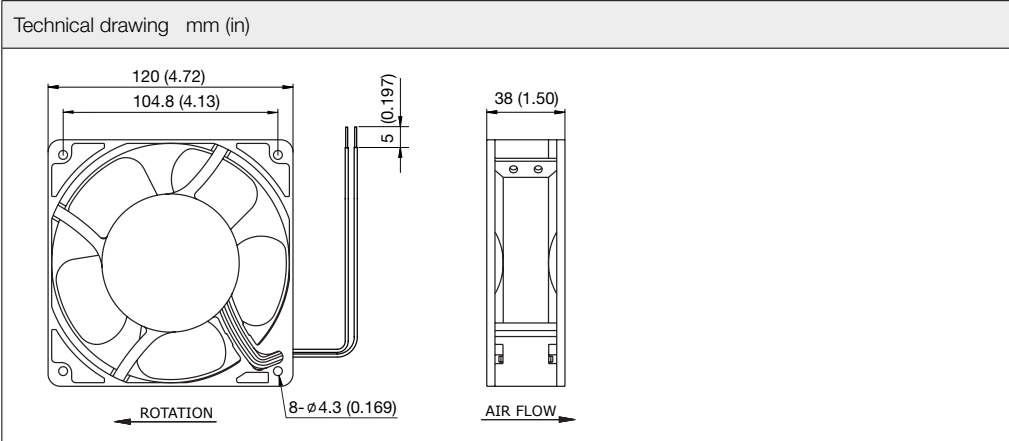
Technical data		
APPROVALS		
Approvals	CE; UR	
PERFORMANCE		
Max Airflow	179	m ³ /h
	105	CFM
Max Static Pressure	66	Pa
	0.26	in H ₂ O
RPM	2800	RPM
ELECTRICAL DATA		
Rated Voltage	48	V d.c.
Rated Current	0.2	A
Rated Power	9.6	W
Operating Voltage	43.2-52.8	V d.c.
Starting Voltage	24	V d.c.
Insulation Class	A	
Motor Protection	Electronically Protected	
MECHANICAL DATA		
Bearing	Ball Bearing	
GENERIC DATA		
Casing Material	Plastic UL94-V0	
Airflow Direction	Air intake over brackets	
Electrical Connection	Wires	

Frame Fans

D12B07HWBA00

DC axial fans

Technical data		
Life Expectancy	70000	h at 40 °C
	70000	h at 104 °F
Fan Noise	46.7	dB(A)
Cable Length	280	mm
	11.02	in
Fixing System	Screws	
ENVIRONMENTAL AND THERMAL DATA		
IP Protection Degree	IP20	
Operating Temperature	-10÷70	°C
	14÷158	°F
Storage Temperature	-40÷70	°C
	-40÷158	°F
UL DATA		
UL File Number Recognized Component	E223195	



Buy Online

Frame Fans

D17C05HWBA00

DC axial fans



Axial fans provide forced-air cooling solution to temperature-sensitive applications. Compact fans with AC shaded pole or capacitor and DC brushless motor are designed for ventilation and spot cooling of internal machinery components, especially in areas in confined spaces. Available also versions tested to withstand harsh environmental conditions (IP55, IP68, all metal and HTR fans).

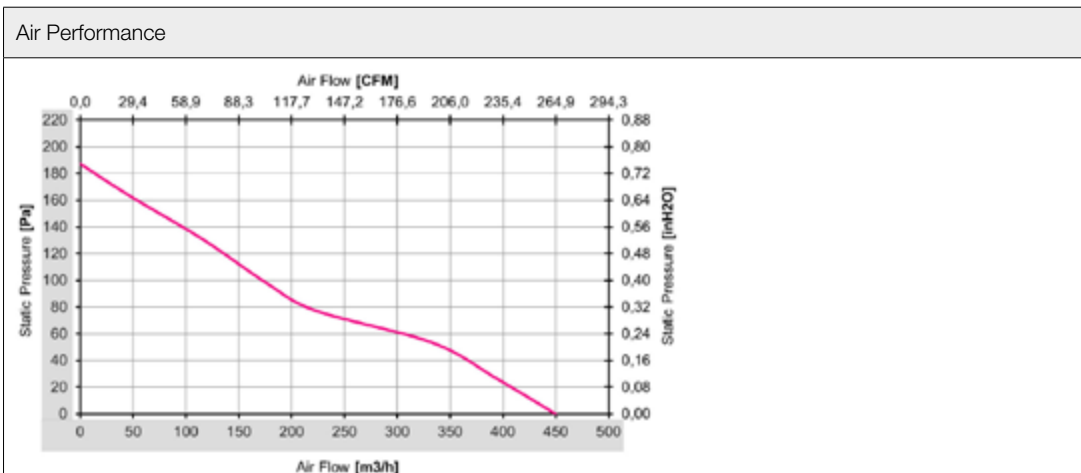
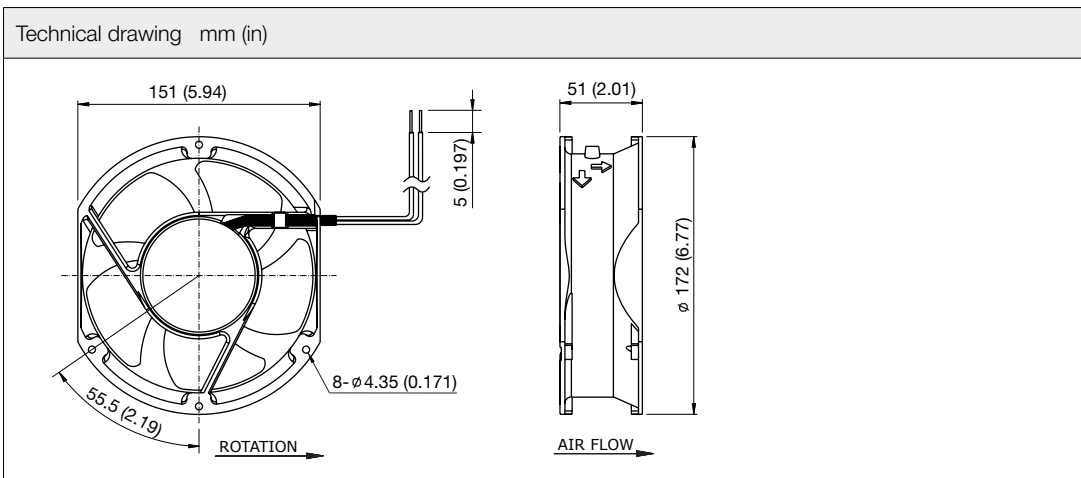
Technical data		
APPROVALS		
Approvals	CE; cURus	
PERFORMANCE		
Max Airflow	450	m ³ /h
	265	CFM
Max Static Pressure	187	Pa
	0.75	in H ₂ O
RPM	3500	RPM
ELECTRICAL DATA		
Rated Voltage	24	V d.c.
Rated Current	1	A
Rated Power	24	W
Operating Voltage	12-26	V d.c.
Starting Voltage	17	V d.c.
Insulation Class	A	
Motor Protection	Electronically Protected	
MECHANICAL DATA		
Bearing	Ball Bearing	
GENERIC DATA		
Casing Material	Plastic UL94-V0	
Airflow Direction	Air intake over brackets	
Electrical Connection	Wires	

Frame Fans

D17C05HWBA00

DC axial fans

Technical data		
Life Expectancy	70000	h at 40 °C
	70000	h at 104 °F
Fan Noise	58.8	dB(A)
Cable Length	280	mm
	11.02	in
Fixing System	Screws	
ENVIRONMENTAL AND THERMAL DATA		
IP Protection Degree	IP20	
Operating Temperature	-10÷70	°C
	14÷158	°F
Storage Temperature	-40÷70	°C
	-40÷158	°F
UL DATA		
UL File Number Recognized Component	E223195	



Buy Online

Frame Fans

D09A05HWBZ00

DC axial fans



Axial fans provide forced-air cooling solution to temperature-sensitive applications. Compact fans with AC shaded pole or capacitor and DC brushless motor are designed for ventilation and spot cooling of internal machinery components, especially in areas in confined spaces. Available also versions tested to withstand harsh environmental conditions (IP55, IP68, all metal and HTR fans).

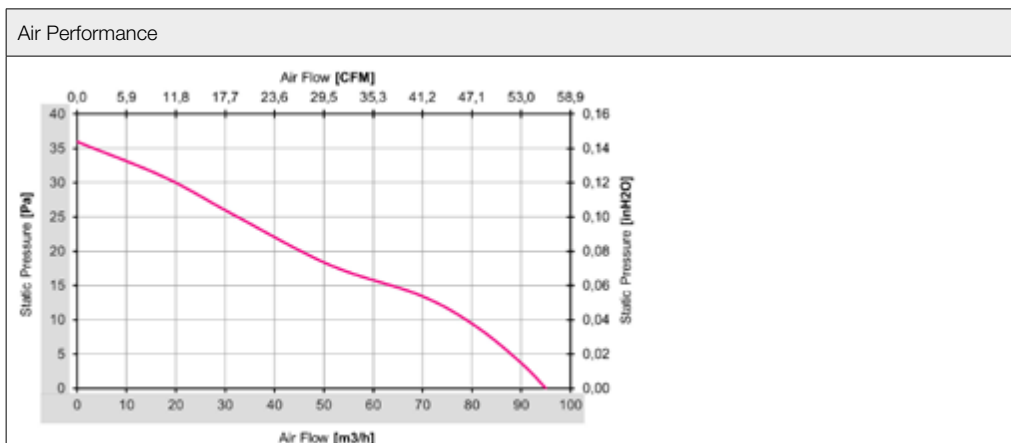
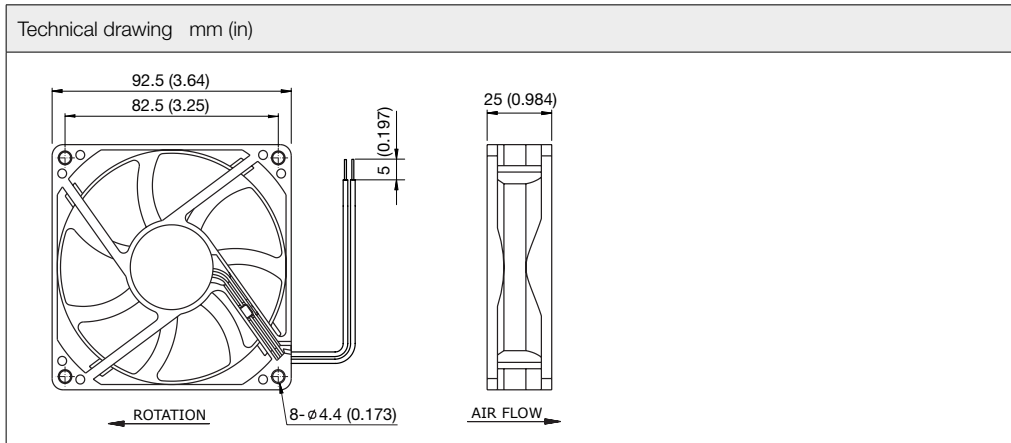
Technical data		
APPROVALS		
Approvals	CE; cURus	
PERFORMANCE		
Max Airflow	95	m ³ /h
	56	CFM
Max Static Pressure	36	Pa
	0.14	in H ₂ O
RPM	2900	RPM
ELECTRICAL DATA		
Rated Voltage	24	V d.c.
Rated Current	0.15	A
Rated Power	3.6	W
Operating Voltage	21.6-26.4	V d.c.
Starting Voltage	17	V d.c.
Insulation Class	A	
Motor Protection	Impedance Protected	
MECHANICAL DATA		
Bearing	Ball Bearing	
GENERIC DATA		
Casing Material	Plastic UL94-V0	
Airflow Direction	Air intake over brackets	
Electrical Connection	Wires	

Frame Fans

D09A05HWBZ00

DC axial fans

Technical data		
Life Expectancy	70000	h at 40 °C
	70000	h at 104 °F
Fan Noise	37.5	dB(A)
Cable Length	300	mm
	11.81	in
Fixing System	Screws	
ENVIRONMENTAL AND THERMAL DATA		
IP Protection Degree	IP20	
Operating Temperature	-10÷70	°C
	14÷158	°F
Storage Temperature	-40÷70	°C
	-40÷158	°F
UL DATA		
UL File Number Recognized Component	E223195	

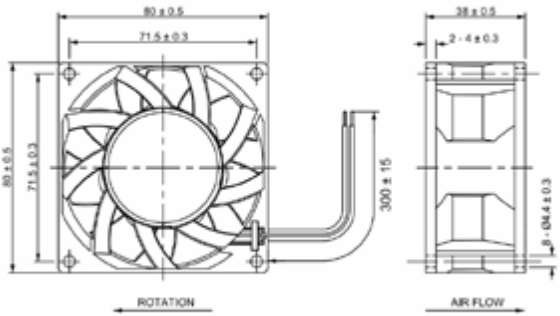


Buy Online

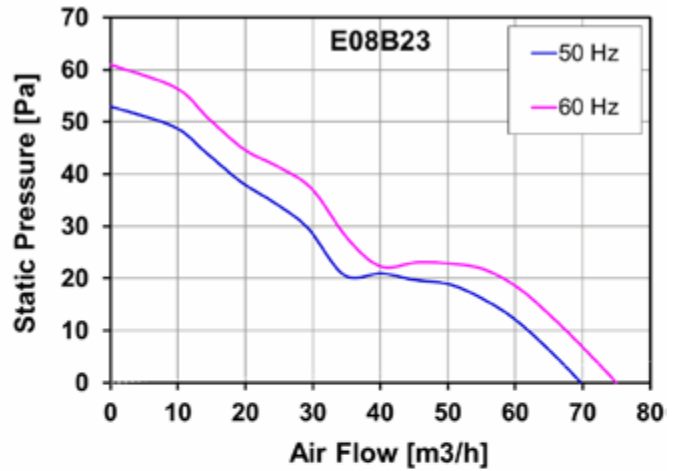
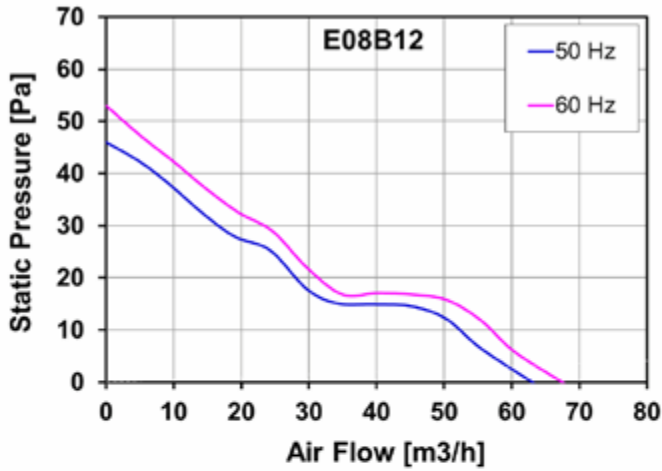
Frame Fans

"E08BL" SERIES COSTECH FANS

Description: EC Axial fan 80X80x38mm



- Casing material:** Thermoplastic in black color, UL 94 V-0
- Impeller material:** Thermoplastic in black color, UL 94 V-0
- Protection degree:** IP20, according to EN 60529 standard
- Fixing system:** by No 4 M4 screws
- Motor protection:** Impedance
- Storage temperature:** From -40°C to +80°C
- Rated temperature range:** From -10°C to +70°C
- Lifetime L10 at 25°C:** 50,000 h
- Electrical connection:** 2 leads 24 AWG UL1430
- Approvals:** CE
- Weight:** 0.270 kg

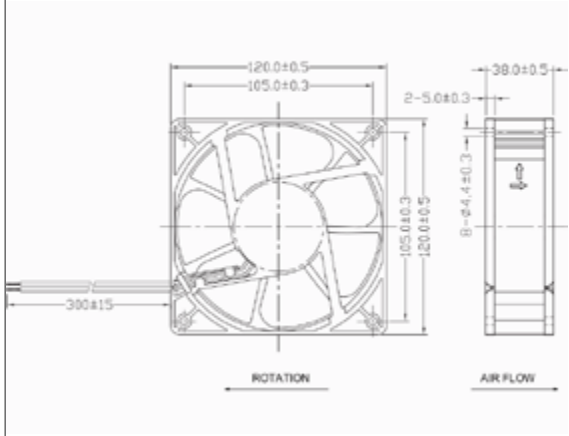


Model	Bearing	Voltage (V)	Frequency (Hz)	Rated Current (A)	Rated Power (W)	Max Air Flow** (m3/h)	Static Pressure (Pa)	Noise [db(A)]	RPM (rpm)	Approvals
E08B12HWBL00	Ball	115 V a.c.	50/60	0.06/0.06	5.0/5.0	64/68	46/53	35/37	2,800/3,000	CE
E08B23HWBL00	Ball	230 V a.c.	50/60	0.05/0.05	5.0/5.0	68/73	53/61	37/39	3,000/3,200	CE

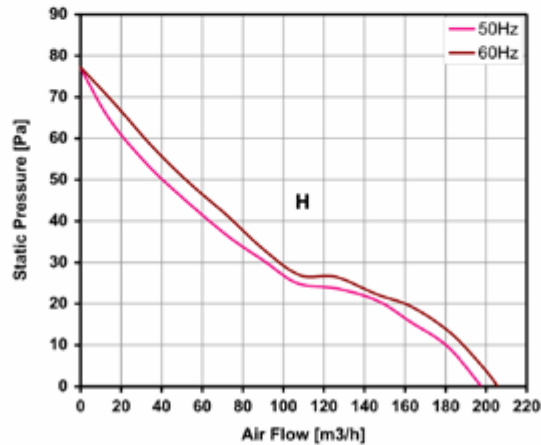
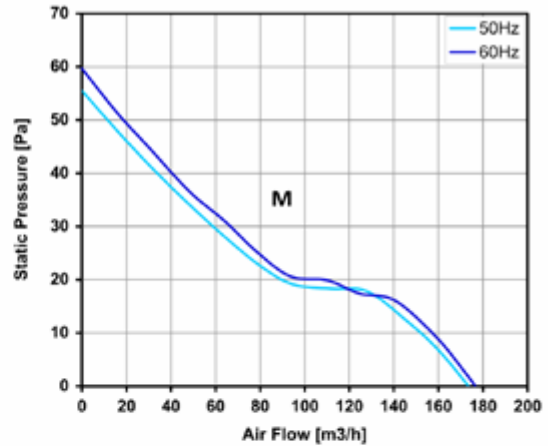
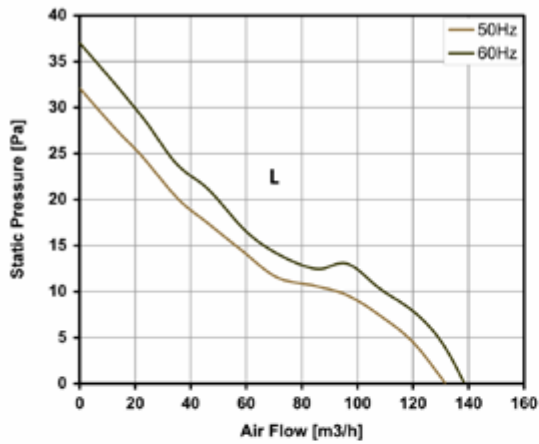
Frame Fans

"E12BL" SERIES COSTECH FANS

Description: EC Axial fan 120X120x38mm



Casing material:	Thermoplastic in black color, UL 94 V-0
Impeller material	Thermoplastic in black color, UL 94 V-0
Protection degree:	IP20, according to EN 60529 standard
Fixing system:	by No 4 M4 screws
Motor protection:	Impedance
Storage temperature:	from -40°C to +75°C
Rated temperature range:	from -30°C to +70°C
Lifetime L10 at 40°C:	ball bearing 50,000 h
Electrical connection:	2 leads 24 AWG UL1430
Approvals:	CE
Weight:	0.270 kg



Model	Bearing	Voltage (V)	Frequency (Hz)	Rated Current (A)	Rated Power (W)	Max Air Flow** (m3/h)	Static Pressure (Pa)	Noise [db(A)]	RPM (rpm)	Approvals
E12B23HWBL00	Ball	230 V a.c.	50/60	0.05/0.05	6.0/6.0	198/206	79/77	45.0/46.8	3,000/3,100	CE
E12B23LWBL00	Ball	230 V a.c.	50/60	0.03/0.03	2.5/2.5	132/138	32/37	34.0/35.7	2,000/2,100	CE
E12B23MWBL00	Ball	230 V a.c.	50/60	0.04/0.04	4.0/4.0	169/176	55/58	40.0/41.8	2,500/2,700	CE

Buy Online

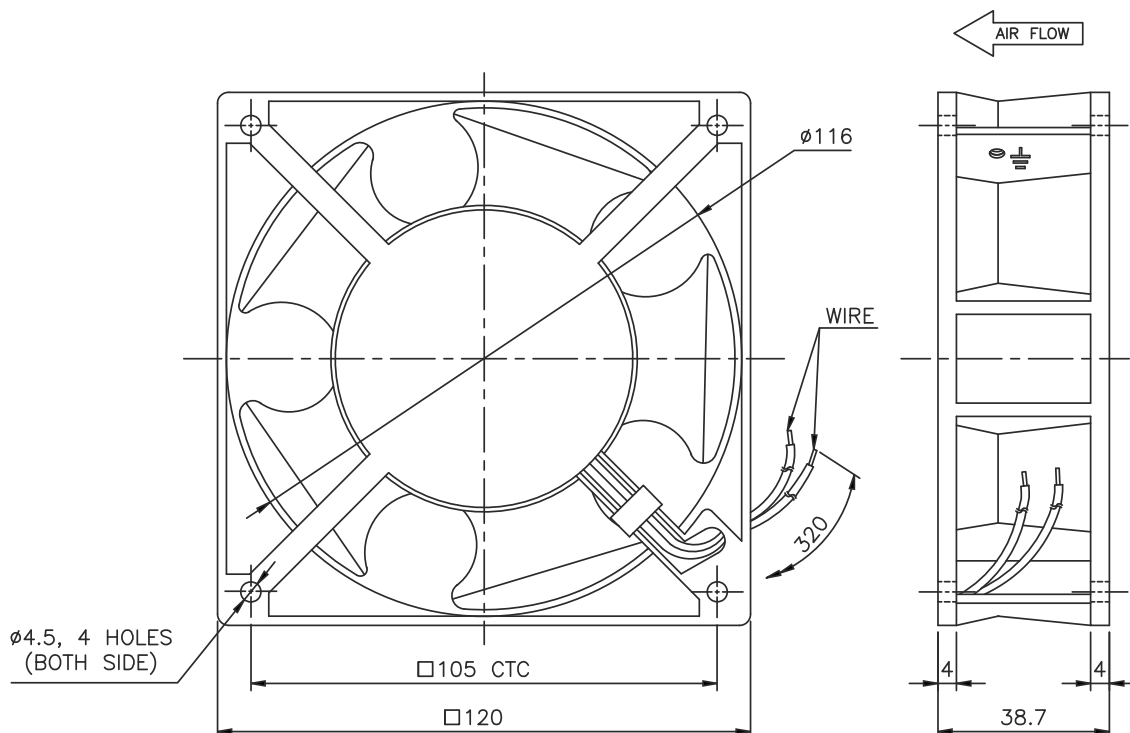
Frame Fans

- Motor Design : ECM
- Housing : Aluminium Die- cast
- Impellor : Thermoplastic
- Bearing : Ball Bearing
- Rated Voltage : 220 - 240 VAC
- Operating Voltage : 185 ~ 245 VAC
- Dielectric Strength : 1500 VAC for 1 minute
- Insulation : Class B
- Insulation Resistance : Above 10M Ohms at 500 VDC
- Connection : Lead Wire
- Motor Protection : Via Electronics
- Operating Temperature : -20 to +70°C for Ball Bearing
- IP : 20



Specification

Model No.	Bearing	Voltage	Frequency	Current	Input Power	Speed ±5 %	Air Flow	Static Pressure	Noise
EC		V	Hz	A	W	RPM	CFM	mm H ₂ O	dB(A)
PAR 001	Ball	220 / 240	50 / 60	0.07	6.5	2750	105	7.4	43

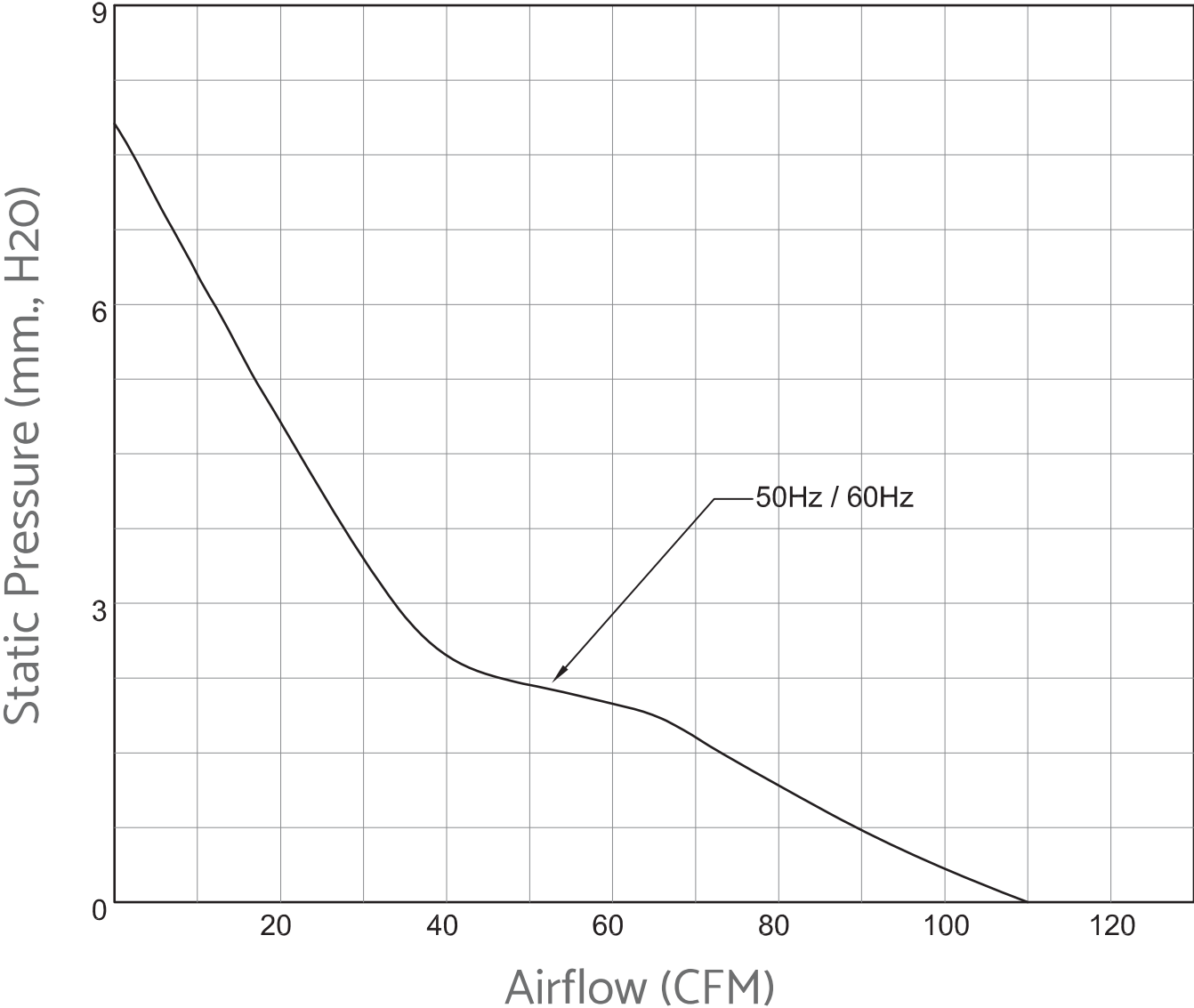


Buy Online



Frame Fans

PERFORMANCE CURVE



[Buy Online](#)



Contact Us

Whatever your issue, concern or question, contact our industrial team using the below contact details. Alternatively, visit our website and open a live chat to start discussions.

01782 349 430

sales@axair-fans.co.uk

