

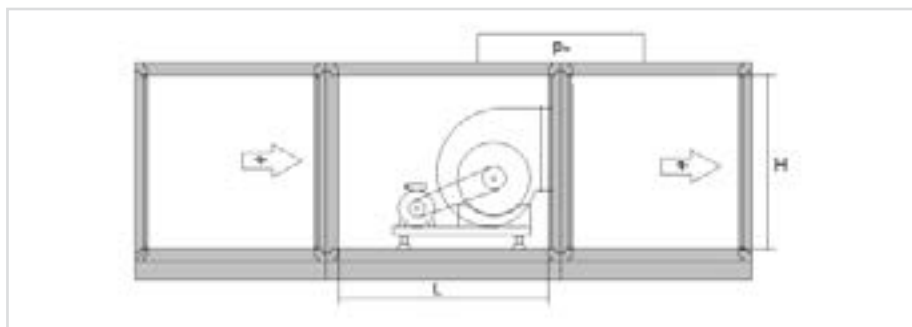
Contact Name	Telephone Number
---------------------	-------------------------

Company & Project Name/Rfq No'	Email Address
---	----------------------

AHU Number	AHU Location
-------------------	---------------------

Fan Name Plate Airflow* m3/h Stat. Pressure* Pa Year: Manufacturer: Type:	Fan Measured Values Airflow m3/h Stat. Pressure Pa Filter Pressure Pa Drop
---	--

Motor Name Plate Shaft Power: kW Nominal Current: A Speed: min-1 Cos: Drive: Belt Direct	Motor/VFD Measured Values Voltage: V Nominal Current: A Speed: min-1 Power: kW Measurement Point: Motor VFD
---	---



Inner Dimensions	
Length (l) (mm)	
Width* (w) (mm)	
Height* (h) (mm)	
Supply	Extract

Operating Hours	Airflow (%)	Hours per Day (h)	Day Per Week
Operating Time 1:	<input style="width:100%" type="text"/>	<input style="width:100%" type="text"/>	<input style="width:100%" type="text"/>
Operating Time 2:	<input style="width:100%" type="text"/>	<input style="width:100%" type="text"/>	<input style="width:100%" type="text"/>
Operating Time 3:	<input style="width:100%" type="text"/>	<input style="width:100%" type="text"/>	<input style="width:100%" type="text"/>

Electricity Price : /kWh

I confirm that all information in this document is accurate.
 Name: