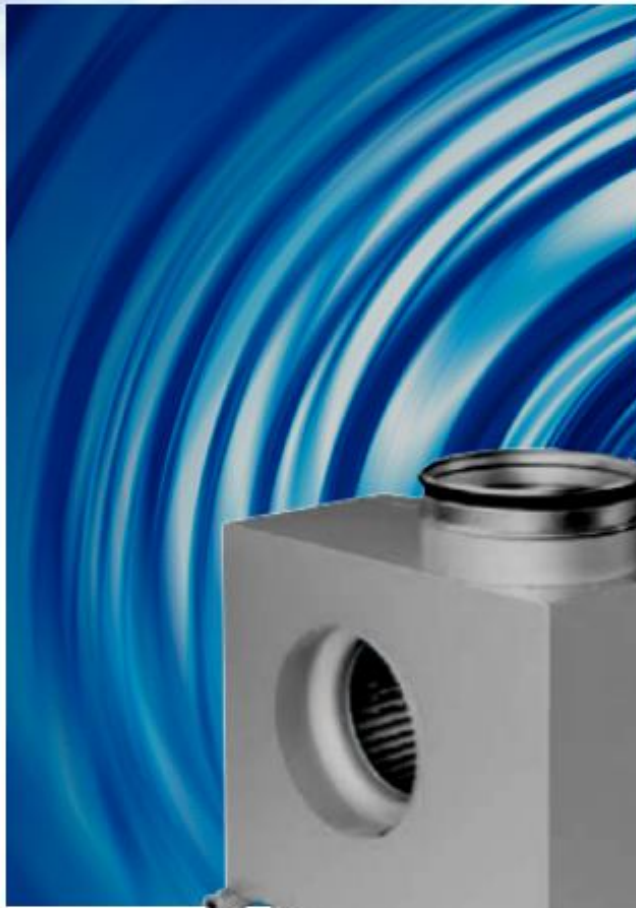


Exhaust fans

# Kitchen Extract Centrifugal Fans



2010 Edition



**AXAIR**  
FANS UK LIMITED  
[www.axair-fans.co.uk](http://www.axair-fans.co.uk)

## General description :

The Rosenberg KB series is a high quality product, manufactured in Germany for world markets. It is driven by external rotor motors -located out of the air-stream, allowing the impeller to operate at up to 100°C, the housing remaining cool through having a thermally insulated skin. The motorised impeller is assembled to a hinged door, which provides rapid access to the fan for inspection and cleaning.

### Impellers :

Galvanised steel forward curved impellers for fans up to 280mm diameter, High performance aluminium backward curved from 315mm diameter.

Impellers and hubs are dynamically balanced together to G2.5 to DIN1940 standard.

### Electrical connection :

Nominal voltage is indicated on the type shield, tolerance +/- 10%.

**Air performance curves :** Axair can supply airflow curves for each reference detailing curves at various voltages

**Noise levels :** Available on request

**Wiring diagram :** Available on request

**Accessories :** Transformer speed regulators, Motor protection switches, Electrical isolators, straight duct adaptors, wall brackets



**R(T)E/RTD**



**MSE/MSD**



**GS**



**RVS**

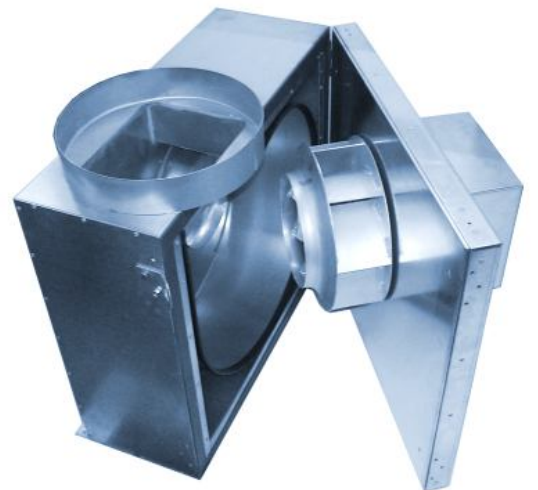
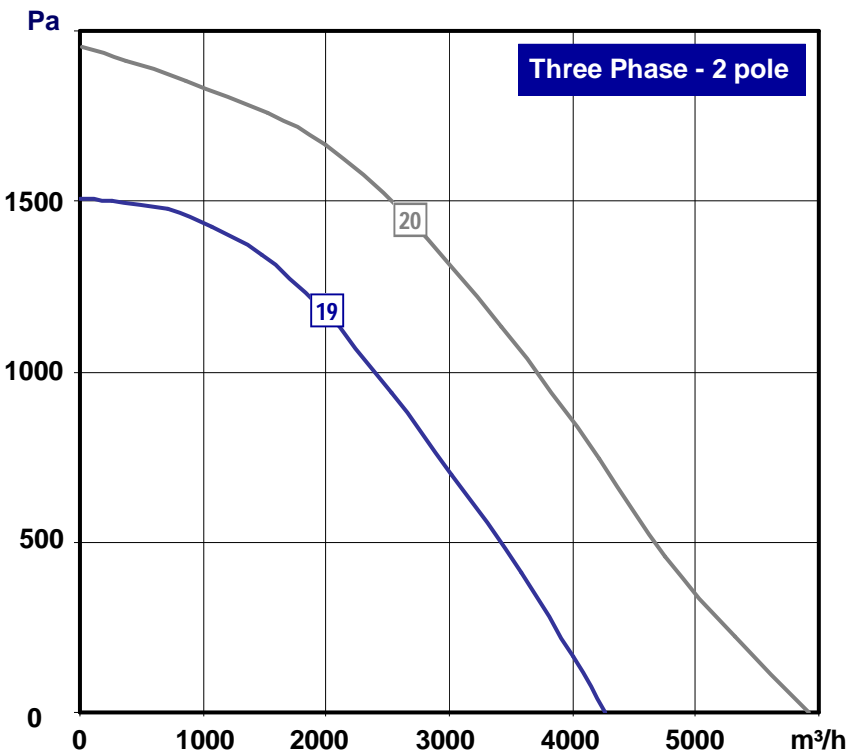
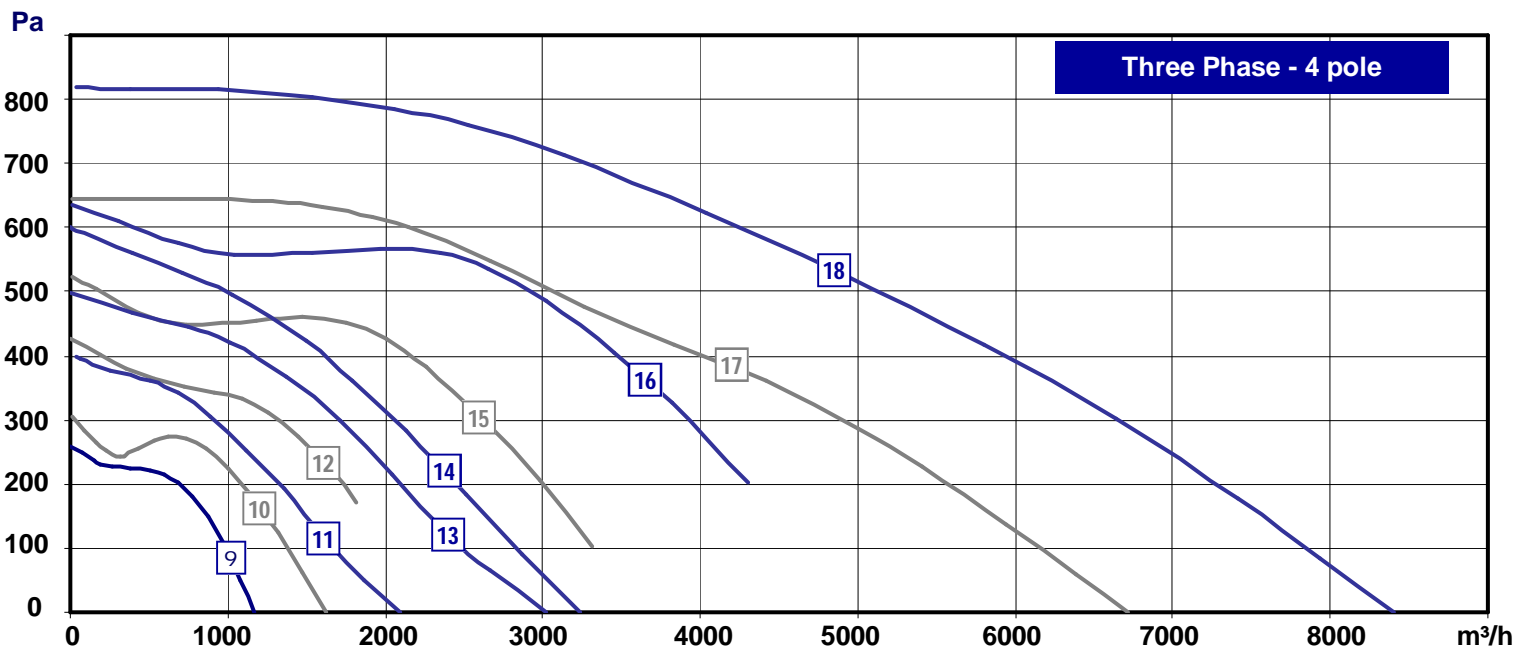
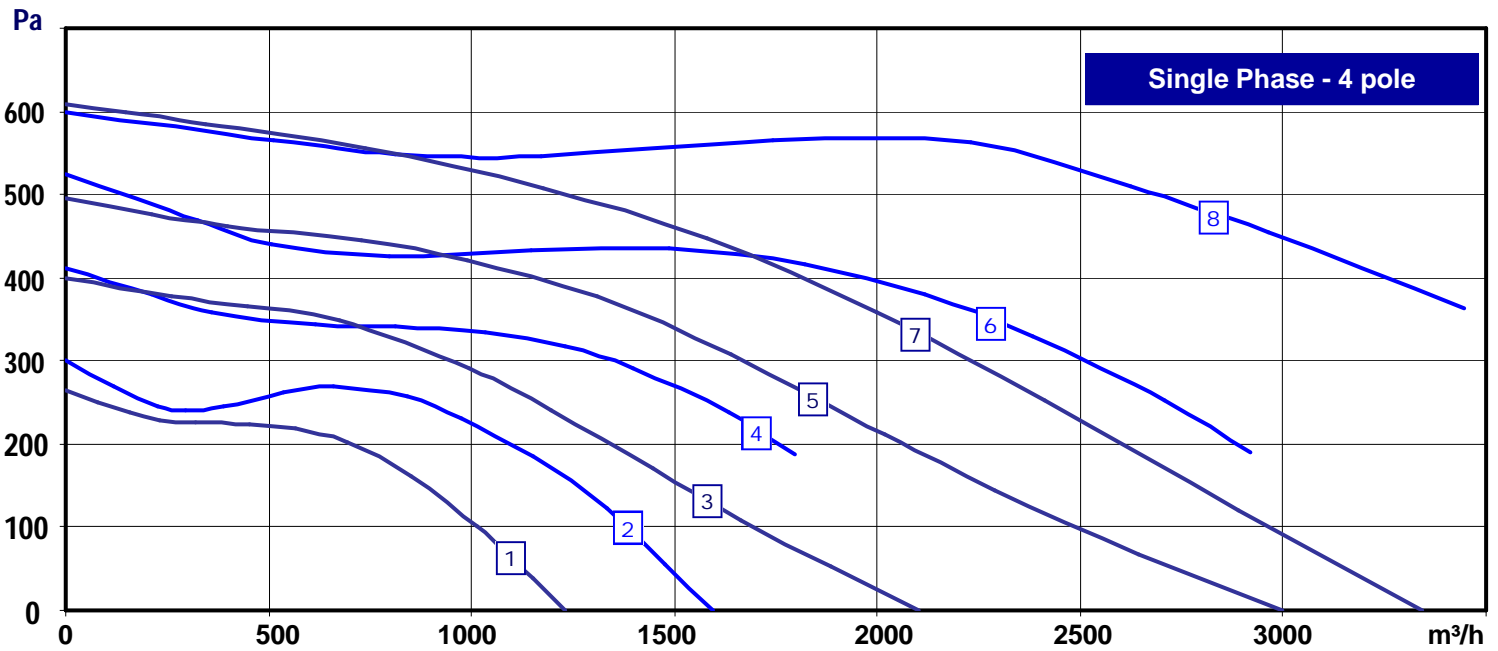


**WK**

## Technical Data

Model	Article Nr	Voltage	Speed	Maximum Current	Motor rating	Max. flow rate	Minimum Pressure	Motor protection	Max. air temp.	Weight	Curve
		V	rpm	A	kW	m³/h	Pa (Pt)		°C	Kg	
<b>KBAE 180-4</b>	<b>B21-18017</b>	230	1390	1.2	0.24	1230	75	IP54	100	31.5	<b>1</b>
<b>KBAD 180-4</b>	<b>B21-18012</b>	400	1340	0.5	0.22	1170	70	IP54	100	31.5	<b>9</b>
<b>KBAE 200-4</b>	<b>B21-20017</b>	230	1353	1.4	0.31	1595	125	IP54	100	31.5	<b>2</b>
<b>KBAD 200-4</b>	<b>B21-20012</b>	400	1320	0.8	0.37	1630	130	IP54	100	31.5	<b>10</b>
<b>KBAE 225-4</b>	<b>B21-22517</b>	230	1290	2.2	0.49	1790	280	IP54	90	37	<b>4</b>
<b>KBAD 225-4</b>	<b>B21-22512</b>	400	1240	0.9	0.42	1815	270	IP54	100	37	<b>12</b>
<b>KBAE 250-4</b>	<b>B21-25017</b>	230	1360	5.5	1.10	2915	350	IP54	100	56	<b>6</b>
<b>KBAD 250-4</b>	<b>B21-25012</b>	400	1410	2.7	1.18	3315	315	IP54	60	56	<b>15</b>
<b>KBAE 280-4</b>	<b>B21-28017</b>	230	1320	6.4	1.40	3450	500	IP21	100	64	<b>8</b>
<b>KBAD 280-4</b>	<b>B21-28012</b>	400	1350	3.3	1.75	4300	425	IP54	100	64	<b>16</b>
<b>KBAD 315-2</b>	<b>B21-31522</b>	400	2795	2.3	1.30	4270	145	IP54	100	77	<b>19</b>
<b>KBAE 315-4</b>	<b>B21-31517</b>	230	1420	1.1	0.20	2100	35	IP54	100	67	<b>3</b>
<b>KBAD 315-4</b>	<b>B21-31512</b>	400	1400	0.4	0.16	2090	35	IP54	100	67	<b>11</b>
<b>KBAD 355-2</b>	<b>B21-35522</b>	400	2705	3.5	2.06	5950	175	IP21	100	77	<b>20</b>
<b>KBAE 355-4</b>	<b>B21-35517</b>	230	1360	1.3	0.29	3000	45	IP54	100	70	<b>5</b>
<b>KBAD 355-4</b>	<b>B21-35512</b>	400	1380	0.7	0.28	5950	35	IP54	90	70	<b>13</b>
<b>KBAE 400-4</b>	<b>B21-40017</b>	230	1320	2.1	0.45	3170	50	IP54	90	71	<b>7</b>
<b>KBAD 400-4</b>	<b>B21-40012</b>	400	1280	0.9	0.40	3240	50	IP54	100	71	<b>14</b>
<b>KBAD 450-4</b>	<b>B21-45012</b>	400	1380	1.7	0.91	6720	85	IP54	100	92	<b>17</b>
<b>KBAD 500-4</b>	<b>B21-50012</b>	400	1370	3.0	1.55	8400	130	IP54	80	92	<b>18</b>

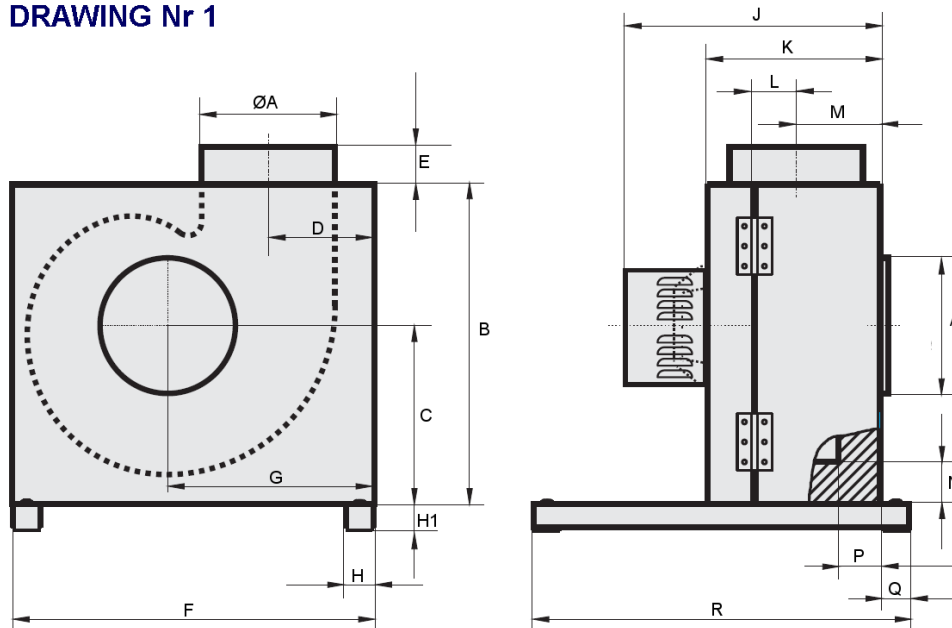
# Airflow Characteristics



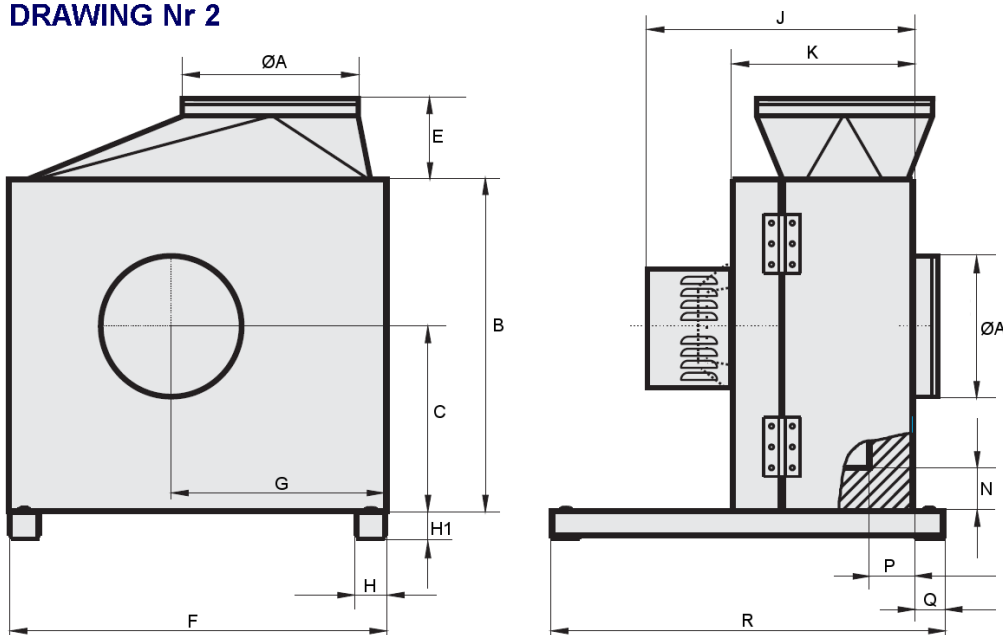
# Dimensions (mm)

Model	Drawing Nr	A	B	C	D	E	F	G	H	H1	J	K	L	M	N	P	Q	R
<b>KBAE/D 180-4</b>	1	200	412	230	134.4	45/60	470	269	38	29	362	221	60	106.5	50	50	35	450
<b>KBAE/D 200-4</b>	1	200	445	249	142.7	45/60	510	292	38	29	373	232	60	113	50	50	35	450
<b>KBAE/D 225-4</b>	1	225	445	256	146.5	45/60	522	301	38	29	413	251	60	122.5	50	50	35	600
<b>KBAE/D 250-4</b>	1	250	500	282	161.5	45/60	576	333	38	29	461	272	60	132.5	50	50	35	600
<b>KBAE 280-4</b>	1	280	537	295	171.5	45/60	625	360	38	29	480	291	60	142.5	50	50	35	600
<b>KBAD 315-2</b>	1	315	600	339	187.5	45/60	690	398	38	29	496	307	60	153.5	50	50	35	800
<b>KBAE/D 315-4</b>	1	315	600	339	187.5	45/60	690	398	38	29	448	307	60	153.5	50	50	35	800
<b>KBAD 355-2</b>	1	355	665	372	206.7	45/60	770	451	38	29	520	331	60	162.5	50	50	35	800
<b>KBA/D 355-4</b>	1	355	665	372	206.7	45/60	770	451	38	29	472	331	60	162.5	50	50	35	800
<b>KBAE/D 400-4</b>	1	355	665	372	206.7	45/60	770	451	38	29	492	331	60	162.5	50	50	35	800
<b>KBAD 450-4</b>	2	400	800	450	-	280	900	511	38	29	603	415	-	-	50	50	35	800
<b>KBAD 500-4</b>	2	400	800	450	-	280	900	511	38	29	603	415	-	-	50	50	35	800

**DRAWING Nr 1**



**DRAWING Nr 2**



## AXAIR FANS UK Ltd

Lowfield Drive – Centre 500 – Wolstanton – Newcastle-u-Lyme – ST5 0UU

Tel : 01782 349430 – Fax : 01782 349439

Email : [sales@axair-fans.co.uk](mailto:sales@axair-fans.co.uk)

Visit our website : [www.axair-fans.co.uk](http://www.axair-fans.co.uk)

All specifications, data and drawings are subject to alterations without prior notice.