

# Change-Over Thermostats



This new changeover mechanical thermostat combines both a normally open (NO) and normally closed (NC) thermostat in one, acting as a single point of control over both cooling and heating in one compact durable cost saving device.

## Standard Specifications

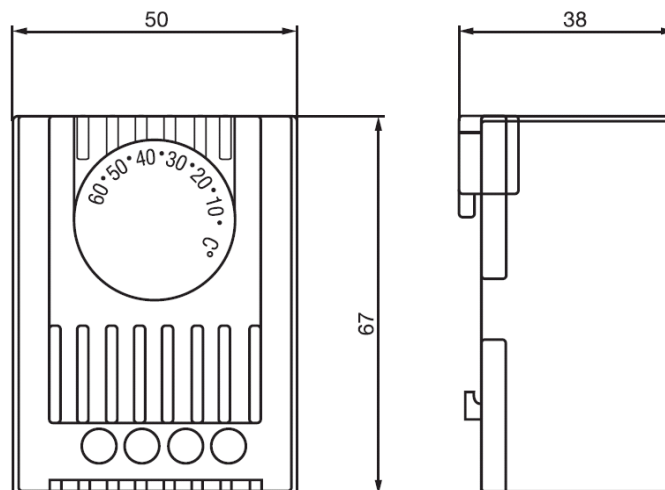
<b>Type of control</b>	Bi-metallic sensing element with retroaction	<b>Control setting</b>	External knob. 5°C indexing
<b>Material</b>	ABS colour RAL 7035	<b>Electrical connection</b>	2 terminals for 2 conductors 0.75mm <sup>2</sup> to 2.5mm <sup>2</sup>
<b>Protection class</b>	IP30	<b>Approvals</b>	CE

\* (Inductive load with  $\cos \varphi = 0.6$ )

## Technical Specifications

Model	Rated voltage	Rated Current	Contact current carrying capacity	Setting range	Differential	Net weight
	(V.a.c.)	(A)	(A)	(°C)	(°K)	(g)
<b>TRT-230V-S01</b>	230	(Heating) a.c. 10(4*), d.c. 30W (Cooling) a.c. 5 (2*), d.c. 30W	10	5 ~ 60	4 1 (with thermal retroaction)	73

## Dimensions



# Hygrostats



The hygrostat regulates the humidity automatically inside enclosures, triggering the heater or fan when a preset relative humidity is exceeded. To prevent condensation on electric and electronic components, the relative humidity is raised above the due point.

## Standard Specifications

<b>Type of control</b>	Synthetic fibre sensing element	<b>Control setting</b>	External knob. 10% RH indexing
<b>Material</b>	ABS colour RAL 7035	<b>Electrical connection</b>	2 terminals for 2 conductors 0.75mm <sup>2</sup> to 2.5mm <sup>2</sup>
<b>Protection class</b>	IP30	<b>Approvals</b>	CE

\* (Inductive load with  $\cos \varphi = 0.6$ )

## Technical Specifications

Model	Rated voltage	Rated Current	Contact current carrying capacity	Setting range	Differential	Net weight
	(V.a.c.)	(A)	(A)	(%R.H.)	(%R.H.)	(g)
IGR-5A230V-01	230	5 (0.2*)	5	35 ~ 100	4	62

## Dimensions

